

HINGE
SERIES

D HINGE



D HINGE

Perfect motion for every single space

Integration of Technology and Aesthetics



- Thanks to the perfect concealed symmetry design, the cabinet space looks clear and elegant.
- The integrated damping system with 3D adjustment function provides silent and gentle door closing.
- Designed with compact size, D hinge is ideal for kitchen, wardrobe, bathroom and cocktail cabinet design.



Quietness



Intelligence



Durability



Eco-Friendliness

D HINGE

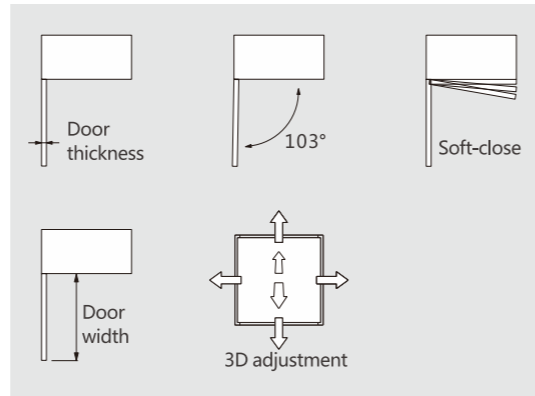
D HINGE Series Soft-close Hinges

PRODUCT



DESCRIPTION

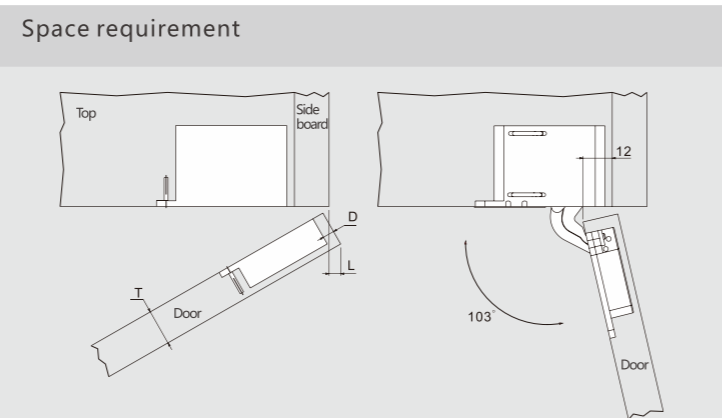
- Range of door thickness: 18-32mm
- Soft-close
- Opening angle: 103°
- Side, height and depth adjustment
- Maximum door width: 600mm



	D HINGE	
	Black/ Nickel	
Item No.	Set/ctn	
C81TD00RL	100	

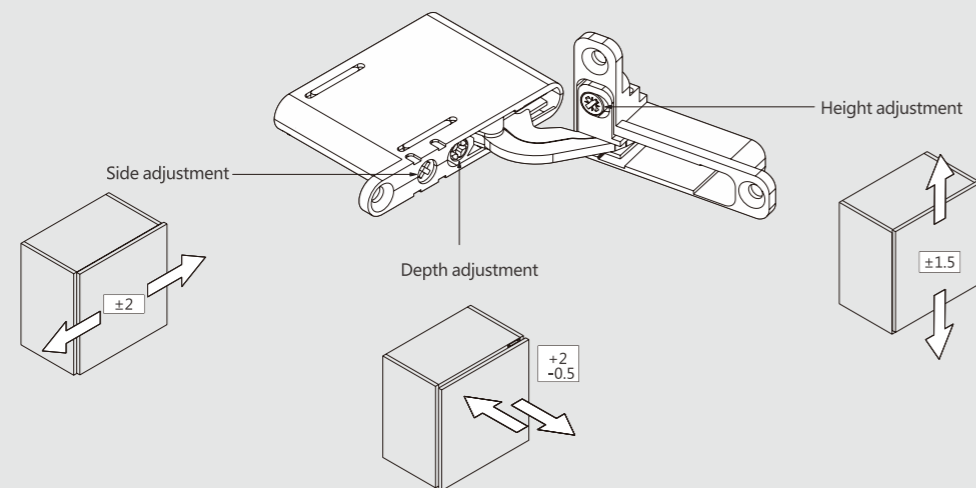
	Fixing Bracket	
	Black	
Item No.	Set/ctn	
LK14-RL	100	

	Plastic Cover	
	Black	
Item No.	Set/ctn	
LK13	100	



	T=18	T=20	T=22	T=24	T=26	T=28	T=30	T=32
L(D=3)	-	0.2	0.5	0.9	1.4	2.1	3.1	4.7
L(D=4)	-	0.2	0.5	0.9	1.4	2	2.9	4.2
L(D=5)	-	0.2	0.5	0.8	1.3	2	2.8	3.9
L(D=6)	-	0.2	0.5	0.8	1.3	1.9	2.7	3.7

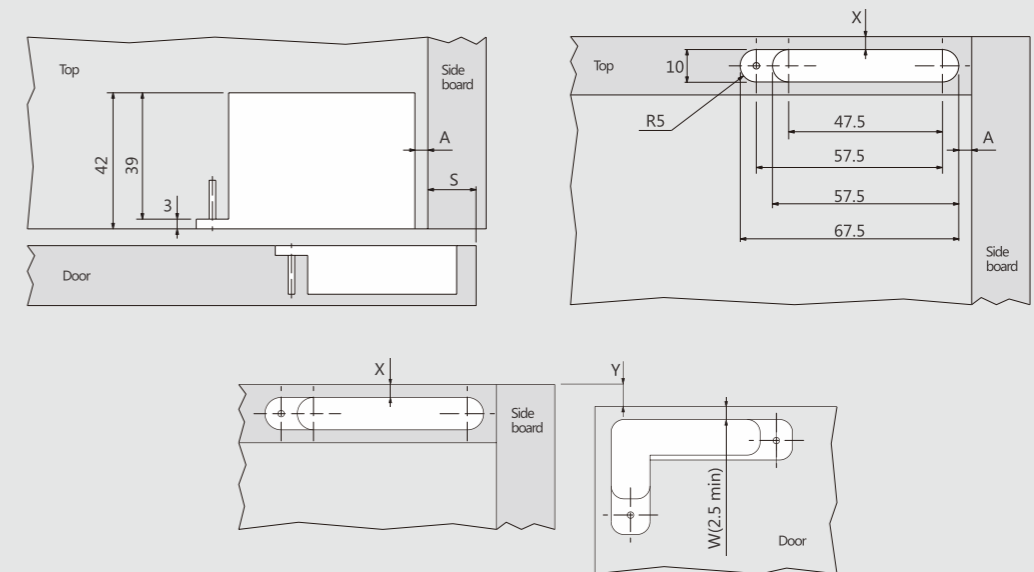
Adjustment



ORDER INFORMATION

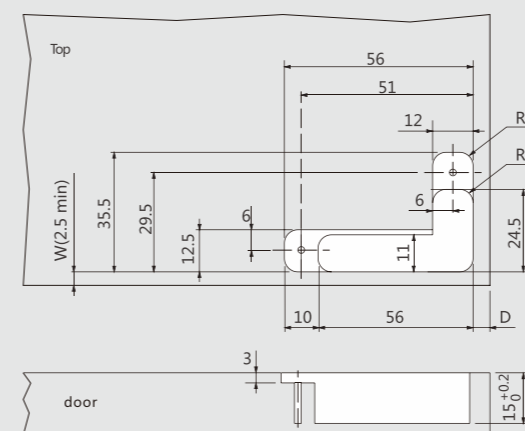
Cabinet drilling dimension

$$A = (17+D)-S \quad Y = X-W \quad W = X-Y \quad X = W+Y$$

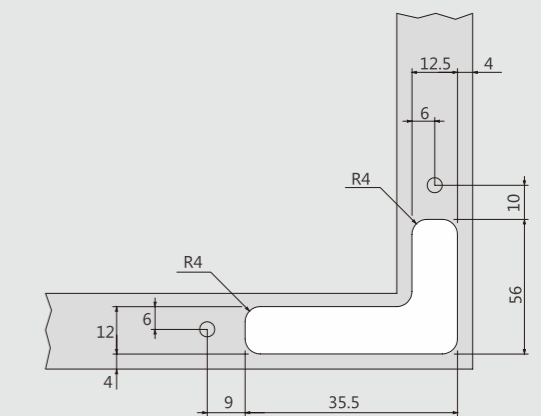


Cabinet drilling dimension

Wooden door drilling dimension



Aluminum door drilling dimension



Cover



Fixing-brackets for Alu frame door

Nexus Enterprises

HINGE
SERIES

PUSH
LATCHES

PUSH LATCHES

DTC mechanical and magnetic push-open door latches

Door Opens by a Finger



- DTC provides a series of mechanical and magnetic push-open door latches in various styles, meeting different needs of furniture designs.
- The appearance of a non-handle furniture and the push-open function deliver a fresh experience and more convenience to users.



Quietness



Intelligence



Durability



Eco-Friendliness

PUSH LATCH

MS Series Push Latch



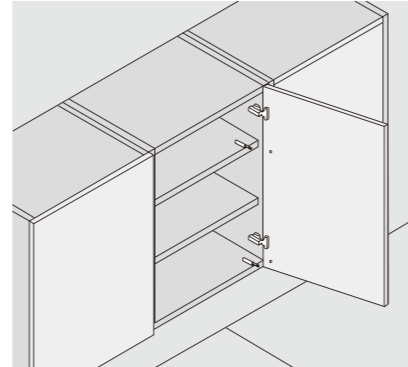
PRODUCT



DESCRIPTION

- Adjustable MS magnetic push latch to work with unsprung hinge

APPLICATION



ORDER INFORMATION

Magnetic Push Latch with Inline Fixing Plate

Application

Push Length	Item No.	Set/ctn
M=39.7	MS-B01A	200
M=19.7	MS-B01	200

Magnetic Push Latch with Cross Fixing Plate

Application

Push Length	Item No.	Set/ctn
M=39.7	MS-B03A	200
M=19.7	MS-B03	200

Bumper Push Latch with Inline Fixing Plate

Application

Push Length	Item No.	Set/ctn
M=39.7	MS-B02A	200
M=19.7	MS-B02	200

Bumper Push Latch with Cross Fixing Plate

Application

Push Length	Item No.	Set/ctn
M=39.7	MS-B04A	200
M=19.7	MS-B04	200

Nexus Enterprises

