



Global Quality Benchmark

UNDERMOUNT
SLIDE SERIES

MAGIC-MOVE



MAGIC-MOVE

Soft-close, synchronization, silent system

Perfect Motion for Drawers



- DTC Magic-Move Soft-close Undermount Slides, full extension with integrated synchronization silent system.
- 3D adjustment - First Choice for Quality kitchen cabinets and wardrobes.
- Dynamic Loading Capacity: 40/60kg



Quietness



Intelligence



Durability



Eco-Friendliness

MAGIC-MOVE

TS10 Series Synchronized Full Extension Undermount Slides with Locking Device



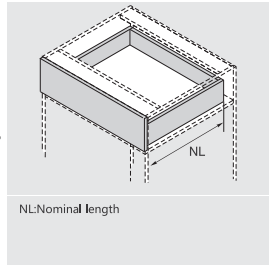
PRODUCT



DESCRIPTION

- Load capacity: 40kg
- Finish: zink plated
- Length: 250-600mm, full extension
- Silent system guarantees smooth run without noise
- 2D adjustment, up&down: 0-2.5mm, side: ± 1.5mm
- 3D adjustment, up&down: 0-2.5mm, side: ± 1.5mm, depth: 0-3mm
- Maximum drawer side thickness: 16mm

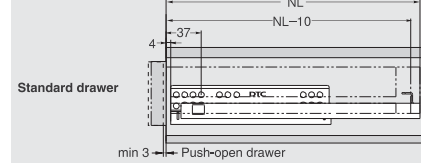
SPACE REQUIREMENT



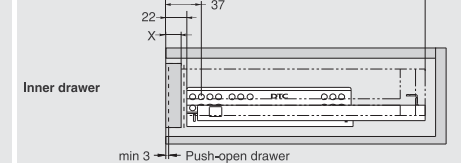
PLANNING

Installation Dimensions(mm)

NL=Nominal Slide Length
 LT=Internal Cabinet Depth
 LT=NL+3



NL=Nominal Slide Length
 LT=Internal Cabinet Depth
 LT=NL+21



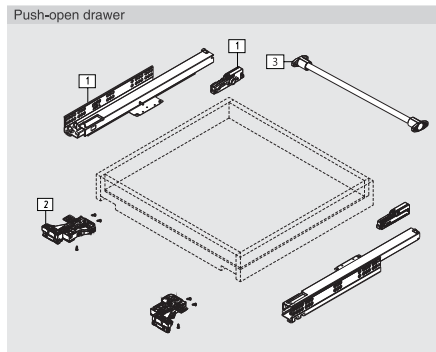
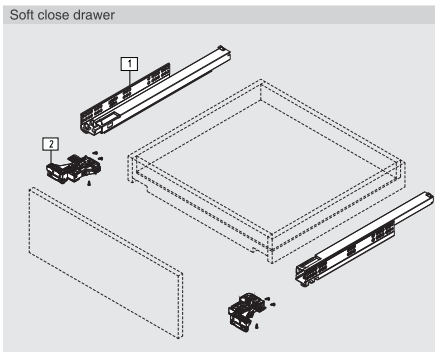
SOFT CLOSE DRAWER/PUSH-OPEN DRAWER

1 Slides (left/right)					
Pre-zinc Steel (F02)					
NL	Soft close Item No.	Set/ctn	Push-open Item No.	Set/ctn	
250mm	TS10250H	10	TF10250H	6	
270mm	TS10270H	10	TF10270H	6	
300mm	TS10300H	10	TF10300H	6	
320mm	TS10320H	10	TF10320H	6	
350mm	TS10350H	10	TF10350H	6	
380mm	TS10380H	10	TF10380H	6	
400mm	TS10400H	10	TF10400H	6	
420mm	TS10420H	10	TF10420H	6	
450mm	TS10450H	10	TF10450H	6	
480mm	TS10480H	10	TF10480H	6	
500mm	TS10500H	10	TF10500H	6	
520mm	TS10520H	10	TF10520H	6	
550mm	TS10550H	10	TF10550H	6	
600mm	TS10600H	10	TF10600H	6	

2D Locking Device (Left/Right)	
Grey(H11)	
Item No.	0TSD01-A

3D Locking Device (Left/Right)	
Grey(H11)	
Item No.	0TSD02-A

3 Rod for Push-open Synchronization (For cutting to size, 1100mm, Cutting: Internal cabinet width LW-172)	
Item No.	HTOFH02

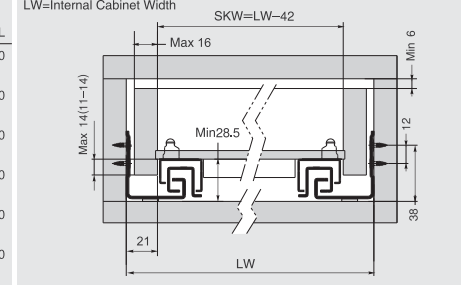


Screw Positions of the Slides(mm)

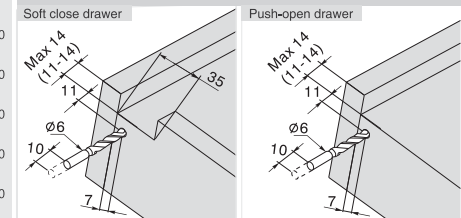


Installation Dimensions(mm)

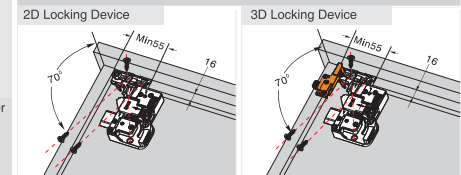
SKW=Internal Drawer Width
 LW=Internal Cabinet Width



Drawer Back Preparation(mm)



Locking Device Installation(mm)



Nexus Enterprises

MAGIC-MOVE

TS80 Series Synchronized Series Full Extension Undermount Slides with Locking Device



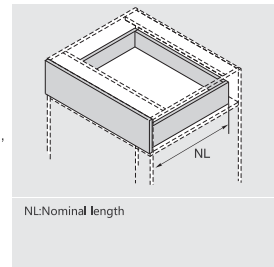
PRODUCT



DESCRIPTION

- Load capacity: 40kg
- Finish: zinc plated
- Length: 250-600mm, full extension
- Silent system guarantees smooth run without noise
- 2D adjustment, up&down:0-2.5mm, side:± 1.5mm
- 3D adjustment, up&down:0-2.5mm, side:± 1.5mm, depth: 0-3mm
- Maximum drawer side thickness:19mm

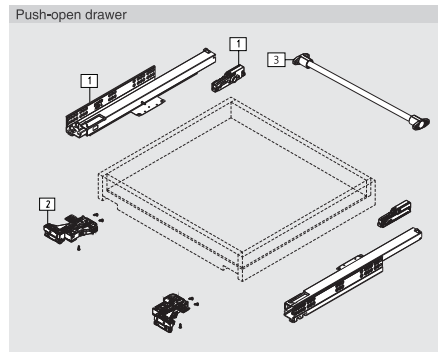
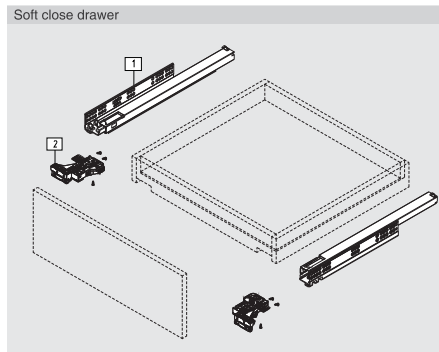
SPACE REQUIREMENT



SOFT CLOSE DRAWER/PUSH-OPEN DRAWER

1		Slides (left/right)	
Pre-zinc Steel (F02)			
NL	Soft close Item No.	Set/ctn	Push-open Item No.
250mm	TS80250H	10	TF80250H
270mm	TS80270H	10	TF80270H
300mm	TS80300H	10	TF80300H
320mm	TS80320H	10	TF80320H
350mm	TS80350H	10	TF80350H
380mm	TS80380H	10	TF80380H
400mm	TS80400H	10	TF80400H
420mm	TS80420H	10	TF80420H
450mm	TS80450H	10	TF80450H
480mm	TS80480H	10	TF80480H
500mm	TS80500H	10	TF80500H
520mm	TS80520H	10	TF80520H
550mm	TS80550H	10	TF80550H
600mm	TS80600H	10	TF80600H

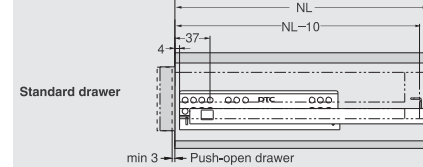
2		2D Locking Device (Left/Right)	
Grey(H11)		Item No.	
		0TSD01-A	
3		3D Locking Device (Left/Right)	
Grey(H11)		Item No.	
		0TSD02-A	
3		Rod for Push-open Synchronization (For cutting to size,1100mm, Cutting:Internal cabinet width LW-180)	
		Item No.	
		HT0FH02	



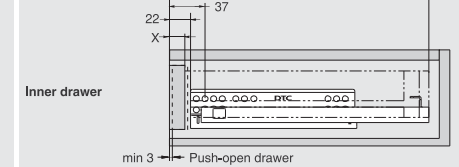
PLANNING

Installation Dimensions(mm)

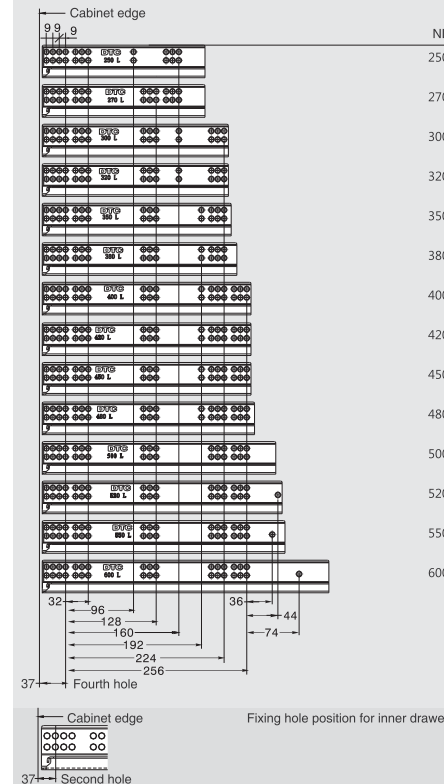
NL=Nominal Slide Length
 LT=Internal Cabinet Depth
 LT=NL+3



NL=Nominal Slide Length
 LT=Internal Cabinet Depth
 LT=NL+21

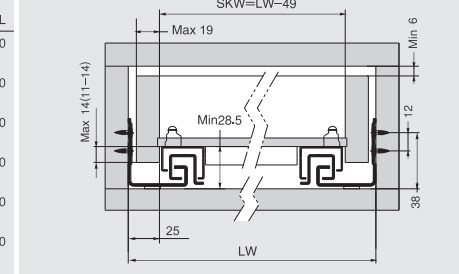


Screw Positions of the Slides(mm)

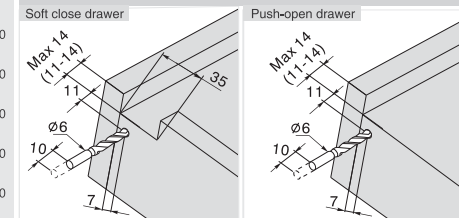


Installation Dimensions(mm)

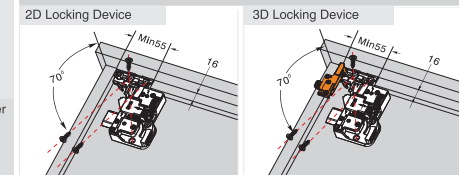
SKW=Internal Drawer Width
 LW=Internal Cabinet Width



Drawer Back Preparation(mm)



Locking Device Installation(mm)



Nexus Enterprises

MAGIC-MOVE

TS11 Series Synchronized Full Extension Undermount Slides with Locking Device



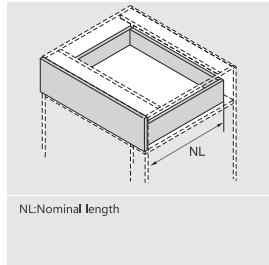
PRODUCT



DESCRIPTION

- Load capacity: 60kg
- Finish: zink plated
- Length: 450-750mm, full extension
- Silent system guarantees smooth run without noise
- 2D adjustment, up&down: 0-2.5mm, side: ± 1.5mm
- 3D adjustment, up&down: 0-2.5mm, side: ± 1.5mm, depth: 0-3mm
- Maximum drawer side thickness: 16mm

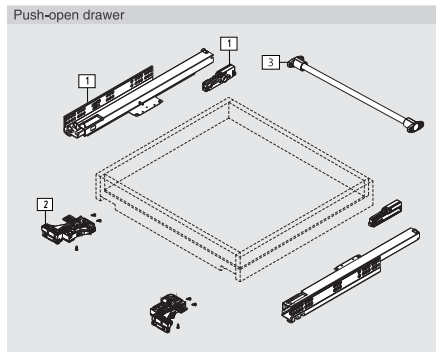
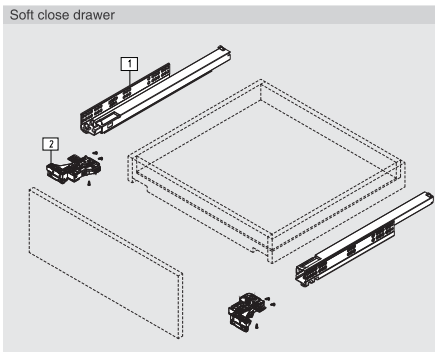
SPACE REQUIREMENT



SOFT CLOSE DRAWER/PUSH-OPEN DRAWER

1					
Slides (left/right)					
Pre-zinc Steel (F02)					
NL	Soft close Item No.	Set/ctn	Push-open Item No.	Set/ctn	
450mm	TS11450H	10	TF11450H	6	
480mm	TS11480H	10	TF11480H	6	
500mm	TS11500H	10	TF11500H	6	
520mm	TS11520H	10	TF11520H	6	
550mm	TS11550H	10	TF11550H	6	
580mm	TS11580H	10	TF11580H	6	
600mm	TS11600H	10	TF11600H	6	
650mm	TS11650H	10	TF11650H	6	
700mm	TS11700H	10	TF11700H	6	
750mm	TS11750H	10	TF11750H	6	

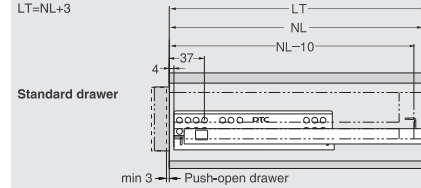
2D Locking Device (Left/Right)	
Grey(H11)	
Item No.	0TSD01-A
3D Locking Device (Left/Right)	
Grey(H11)	
Item No.	0TSD02-A
Rod for Push-open Synchronization (For cutting to size, 1100mm, Cutting: Internal cabinet width LW-172)	
Item No.	HT0FH02



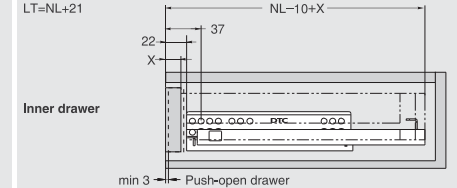
PLANNING

Installation Dimensions(mm)

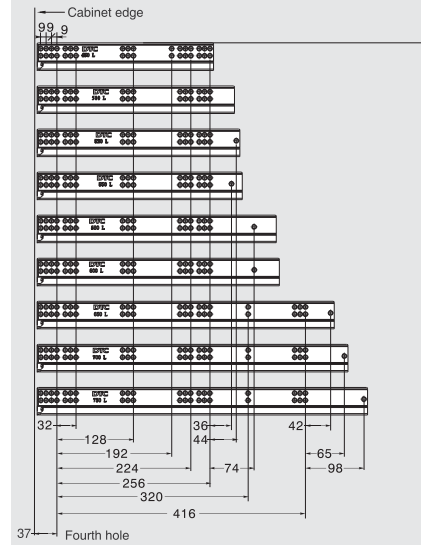
NL=Nominal Slide Length
LT=Internal Cabinet Depth
LT=NL+3



NL=Nominal Slide Length
LT=Internal Cabinet Depth
LT=NL+21

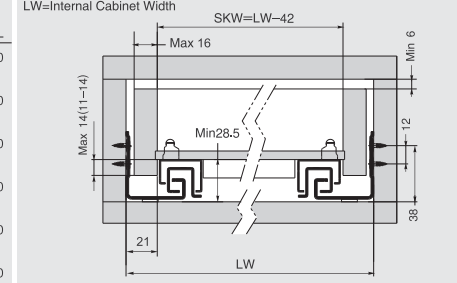


Screw Positions of the Slides(mm)

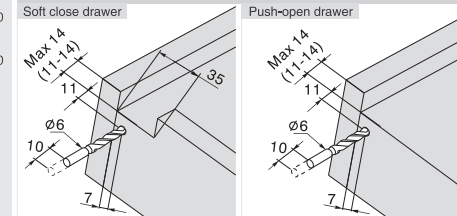


Installation Dimensions(mm)

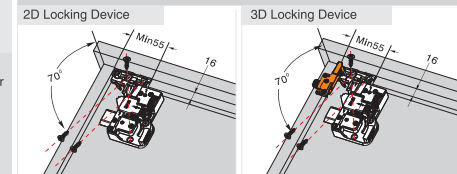
SKW=Internal Drawer Width
LW=Internal Cabinet Width



Drawer Back Preparation(mm)



Locking Device Installation(mm)



Nexus Enterprises

MAGIC-MOVE

TS81 Series Synchronized Full Extension Undermount Slides with Locking Device



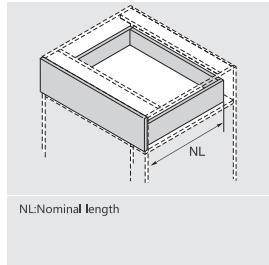
PRODUCT



DESCRIPTION

- Load capacity: 60kg
- Finish: zink plated
- Length: 450-750mm, full extension
- Silent system guarantees smooth run without noise
- 2D adjustment, up&down:0-2.5mm, side:± 1.5mm
- 3D adjustment, up&down:0-2.5mm, side:± 1.5mm, depth: 0-3mm
- Maximum drawer side thickness:19mm

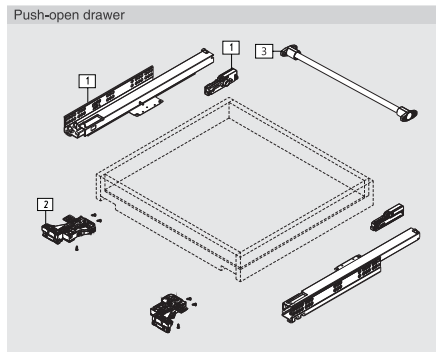
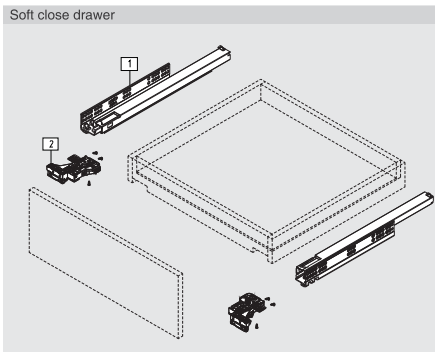
SPACE REQUIREMENT



SOFT CLOSE DRAWER/PUSH-OPEN DRAWER

1		Slides (left/right)	
Pre-zinc Steel (F02)			
NL	Soft close Item No.	Set/ctn	Push-open Item No. Set/ctn
450mm	TS81450H	10	TF81450H 6
480mm	TS81480H	10	TF81480H 6
500mm	TS81500H	10	TF81500H 6
520mm	TS81520H	10	TF81520H 6
550mm	TS81550H	10	TF81550H 6
580mm	TS81580H	10	TF81580H 6
600mm	TS81600H	10	TF81600H 6
650mm	TS81650H	10	TF81650H 6
700mm	TS81700H	10	TF81700H 6
750mm	TS81750H	10	TF81750H 6

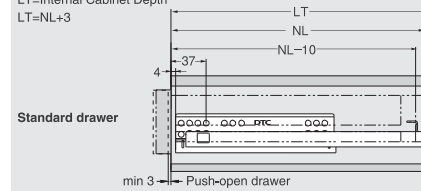
2		2D Locking Device (Left/Right)	
		Grey(H11)	
		Item No.	0TSD01-A
3		3D Locking Device (Left/Right)	
		Grey(H11)	
		Item No.	0TSD02-A
		Rod for Push-open Synchronization (For cutting to size,1100mm, Cutting:Internal cabinet width LW-180)	
		Item No.	HT0FH02



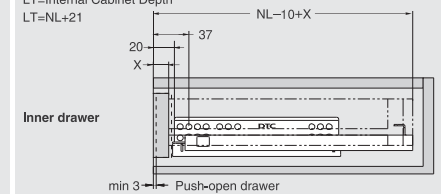
PLANNING

Installation Dimensions(mm)

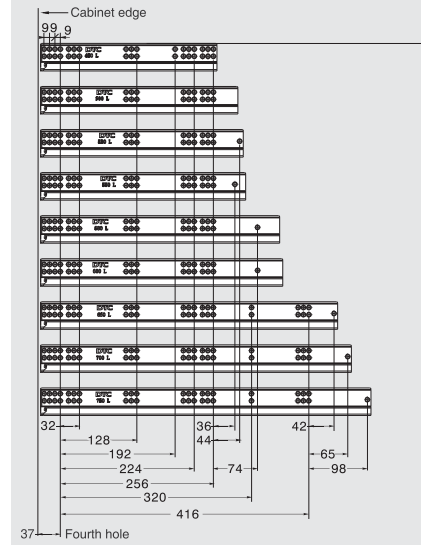
NL=Nominal Slide Length
LT=Internal Cabinet Depth
LT=NL+3



NL=Nominal Slide Length
LT=Internal Cabinet Depth
LT=NL+21

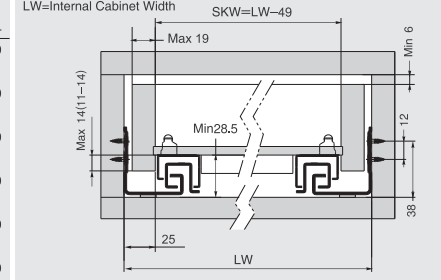


Screw Positions of the Slides(mm)

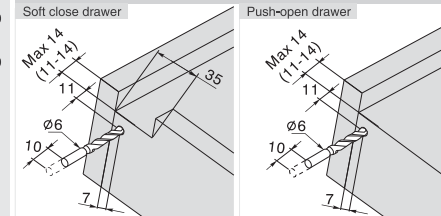


Installation Dimensions(mm)

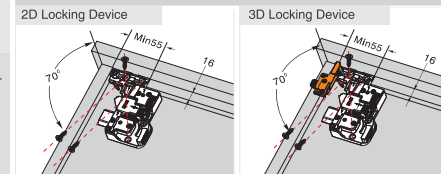
SKW=Internal Drawer Width
LW=Internal Cabinet Width



Drawer Back Preparation(mm)



Locking Device Installation(mm)



Nexus Enterprises

ASSEMBLY AND ADJUSTMENT

Assembly and Adjustment(for MAGIC-MOVE)



Drawer Assembly with 3D Adjustment Locking Device

Fix the slide onto the cabinet.

Move out the adjusting part and fix the locking device onto the drawer bottom. Put the adjusting part back and tighten the screws.

Drawer Assembly with 2D Adjustment Locking Device

Fix the slide onto the cabinet.

Fix the locking device onto the drawer bottom.

Drawer Assembly with 3D Adjustment Locking Device

Lay the drawer bottom onto the slide then push the drawer into the cabinet.

Drawer Assembly with 2D Adjustment Locking Device

Lay the drawer bottom onto the slide then push the drawer into the cabinet.

Adjustment

Up&down adjustment Side adjustment Depth adjustment

Adjustment

Up&down adjustment Side adjustment

Removal

Hold the handle Pull-out

For removal, hold the handle and pull out the drawer.

Removal

Hold the handle Pull-out

For removal, hold the handle and pull out the drawer.

Nexus Enterprises