

LIFTING  
SYSTEM

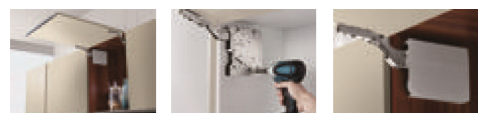
SF Series

TOP-STAYS



The new experience of the lift-up door

Agile and Unconstrained,  
Enjoy Quality Life



- Closing speed adjustable, easy to open and stays at any desired position, silent and smooth closing
- Snap-fit mechanism makes installation and dismantling very easy
- High stability, wide application, provide ideal opening and shutting effects for door panels with various dimensions and made of various materials.



Quietness



Intelligence



Durability



Eco-Friendliness

### PRODUCT



### DESCRIPTION

- Opening angle: 107° / 100°
- Cabinet width up to 1800mm
- Cabinet height: 250-700mm
- Door thickness: 16-28mm
- 3D door adjustments:  
Height adjustment: +/-2mm,  
Depth adjustment: +/-2mm,  
Side adjustment: +/-2mm,
- Easy to open, and stays at any desired position
- Adjustable soft-closing speed
- Adjustable opening and hovering forces
- Tool free assembly and removal
- Single and dual-colour caps at your disposal

### Power factor LF=

Cabinet height KH(mm) x door weight incl. double handle weight(kg)

Note: The power factor LF and the door weight can be increased by 50% when a third lift mechanism is used.

### ORDER INFORMATION

1	Lift Mechanism set/ Industrial Package				
	Power Factor LF	Dynamic	Opening angle	Item No.	Set/ctn
	480-1500	Extra Light	107°	SF00AD	10
	750-2500	Light	107°	SF00AL	10
	1500-4900	Medium	107°	SF00AM	10
	3200-9000	Strong	100°	SF00AH	10

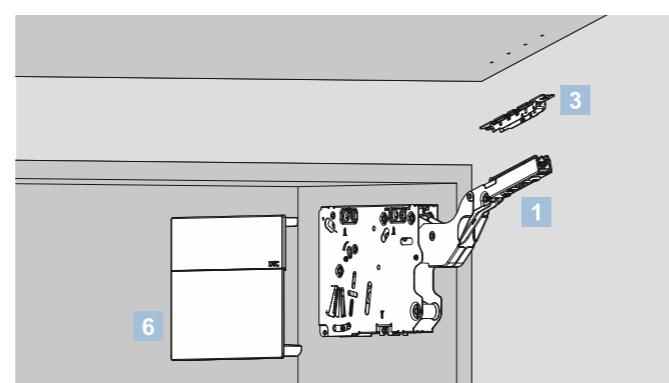
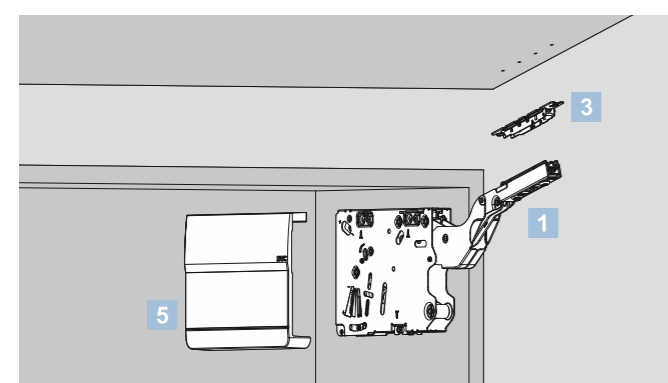
2	Opening angle restriction clip / Industrial Package		
	Opening angle	Item No.	Pcs/ctn
	100°	SFW100	1000
	75°	SFW75	1000

3	Front Fixing-brackets set/Industrial Package For Wooden Door and Wide Alu Frames	
	Item No.	Set/ctn
	SF00YQ	200

4	Narrow Alu Frame fixing-brackets set Industrial Package For Narrow Alu Frames	
	Item No.	Set/ctn
	SF00H	100
	16 pcs Φ3.5X8.5mm countersunk screws included	

5	Single Caps(left/right) / Industrial Package		
	Colour	Item No.	Set/ctn
	White	SFJS02A	20
	Grey	SFJS02B	20

6	Dual-colour Caps(left/right) / Industrial Package		
	Colour	Item No.	Set/ctn
	White+ light grey	SFJS01A	20
	Grey+ dark grey	SFJS01B	20
	White+ nickel plated	SFJS01C	20
	Grey+ nickel plated	SFJS01D	20



### ORDER INFORMATION

T1 Recommended Kit Package		
Including:		
1x lift mechanism set	1x white single caps set	1x front fixing-brackets set
10x wooden screws Ø4X35mm	8x wooden screws Ø4X16mm	
Please select the corresponding kit package item No. according to power factor and cabinet height		
Power Factor(LF)	Cabinet Height	Kit package item No.
480-1500	250-500mm	SF00AD02A
750-2500	250-500mm	SF00AL02A
1500-4900	350-500mm	SF00AM02A
3200-9000	400-700mm	SF00AH02A

T2 Recommended Kit Package		
Including:		
1x lift mechanism set	1x grey single caps set	1x front fixing-brackets set
10x wooden screws Ø4X35mm	8x wooden screws Ø4X16mm	
Please select the corresponding kit package item No. according to power factor and cabinet height		
Power Factor(LF)	Cabinet Height	Kit package item No.
480-1500	250-500mm	SF00AD02B
750-2500	250-500mm	SF00AL02B
1500-4900	350-500mm	SF00AM02B
3200-9000	400-700mm	SF00AH02B

T3 Recommended Kit Package		
Including:		
1x lift mechanism set	1x white+light grey dual-colour caps set	1x front fixing-brackets set
10x wooden screws Ø4X35mm	8x wooden screws Ø4X16mm	
Please select the corresponding kit package item No. according to power factor and cabinet height		
Power Factor(LF)	Cabinet Height	Kit package item No.
480-1500	250-500mm	SF00AD01A
750-2500	250-500mm	SF00AL01A
1500-4900	350-500mm	SF00AM01A
3200-9000	400-700mm	SF00AH01A

T4 Recommended Kit Package		
Including:		
1x lift mechanism set	1x grey+dark grey dual-colour caps set	1x front fixing-brackets set
10x wooden screws Ø4X35mm	8x wooden screws Ø4X16mm	
Please select the corresponding kit package item No. according to power factor and cabinet height		
Power Factor(LF)	Cabinet Height	Kit package item No.
480-1500	250-500mm	SF00AD01B
750-2500	250-500mm	SF00AL01B
1500-4900	350-500mm	SF00AM01B
3200-9000	400-700mm	SF00AH01B

T5 Recommended Kit Package		
Including:		
1x lift mechanism set	1x white+nickel plated dual-colour caps set	1x front fixing-brackets set
10x wooden screws Ø4X35mm	8x wooden screws Ø4X16mm	
Please select the corresponding kit package item No. according to power factor and cabinet height		
Power Factor(LF)	Cabinet Height	Kit package item No.
480-1500	250-500mm	SF00AD01C
750-2500	250-500mm	SF00AL01C
1500-4900	350-500mm	SF00AM01C
3200-9000	400-700mm	SF00AH01C

T6 Recommended Kit Package		
Including:		
1x lift mechanism set	1x grey+nickel plated dual-colour caps set	1x front fixing-brackets set
10x wooden screws Ø4X35mm	8x wooden screws Ø4X16mm	
Please select the corresponding kit package item No. according to power factor and cabinet height		
Power Factor(LF)	Cabinet Height	Kit package item No.
480-1500	250-500mm	SF00AD01D
750-2500	250-500mm	SF00AL01D
1500-4900	350-500mm	SF00AM01D
3200-9000	400-700mm	SF00AH01D

In the case of narrow alu frame application, order fixing-brackets SF00H separately.

Nexus Enterprises

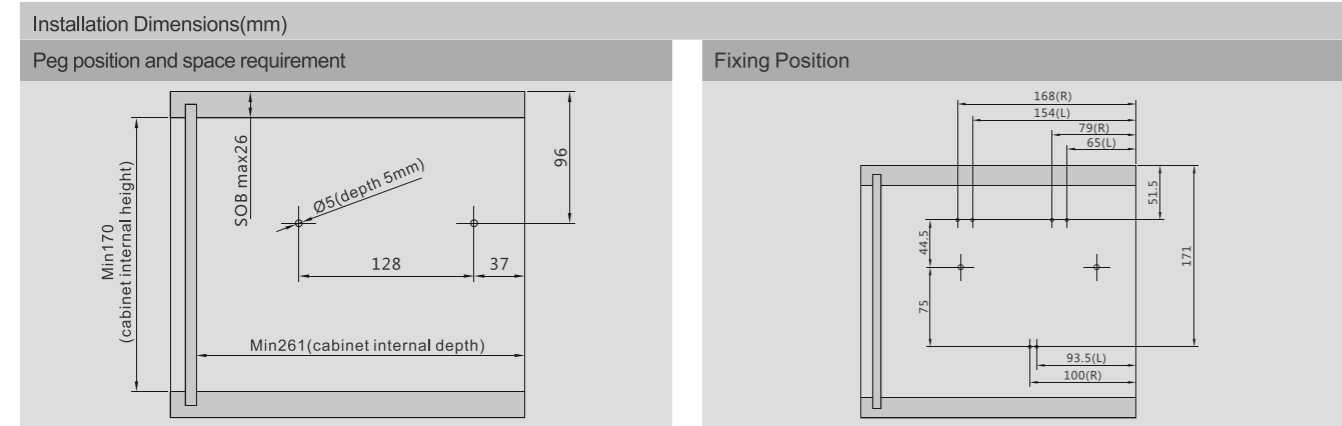
# TOP-STAYS

SF Series Lifting System

# TOP-STAYS

Assembly, Removal and Adjustment (for SF series Lifting System)

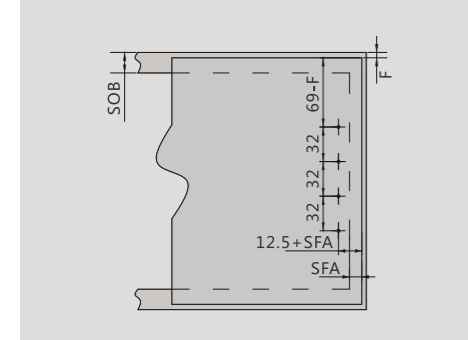
## PLANNING



SOB: top panel thickness

3x wooden screws Ø4X35mm

### Door planning and assembly- wooden doors and wide alu frames



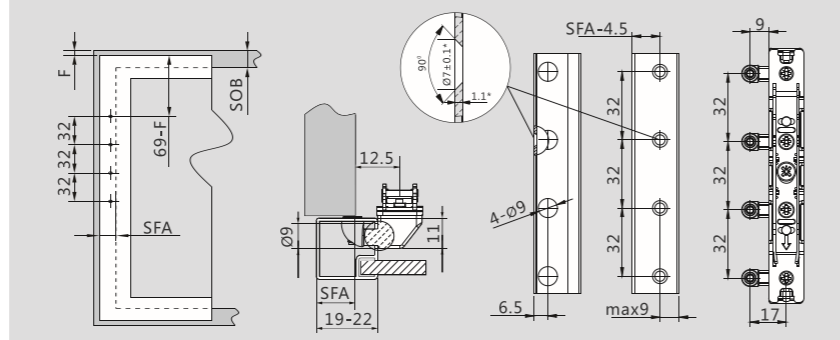
8 wooden screws for wooden doors (Ø4X16mm)

8 countersunk screws for wide alu frames (M4X11mm)

SFA: door overlay on the side panel

F: gap

### Door planning and assembly- narrow alu frames

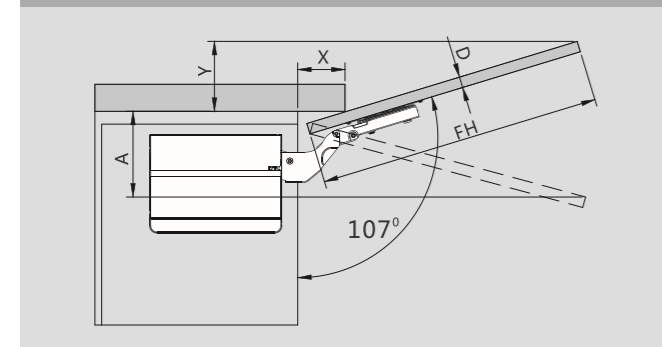


Frame width(mm)	19	20	21	22
SFA(mm)	15~19	16~20	17~21	18~22

16 countersunk screws for narrow alu frames (Φ3.5X8.5mm)

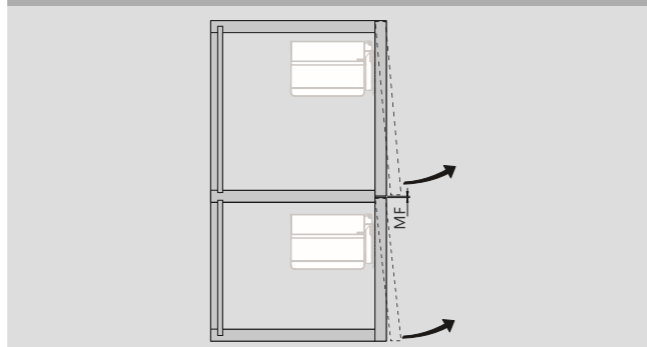
\*When changing material thickness, adjust the assembly dimensions accordingly

### Cornice/crown moulding clearance



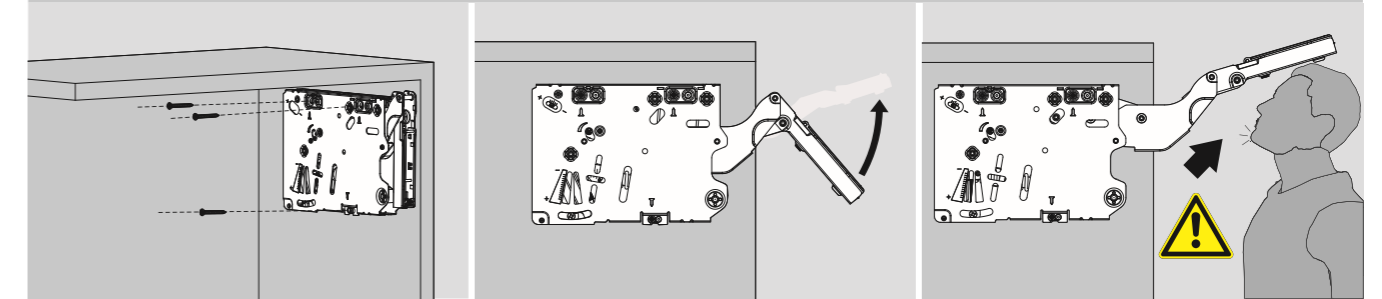
D(mm)	16	19	22	26	28
X(mm)	70	58	49	35	26
Opening angle restriction	Space requirement (mm)				
without	$Y = FH \times 0.29 - 15 + D$				
100°	$Y = FH \times 0.17 - 15 + D$				
75°	$A = FH \times 0.26 + 15 - D$				

### Minimum gap



MF: Minimum gap 2mm

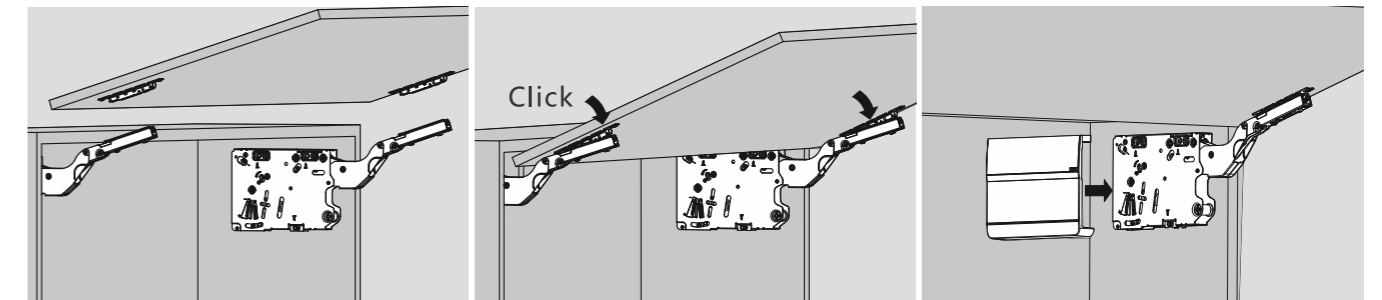
## Assembly



Assembly

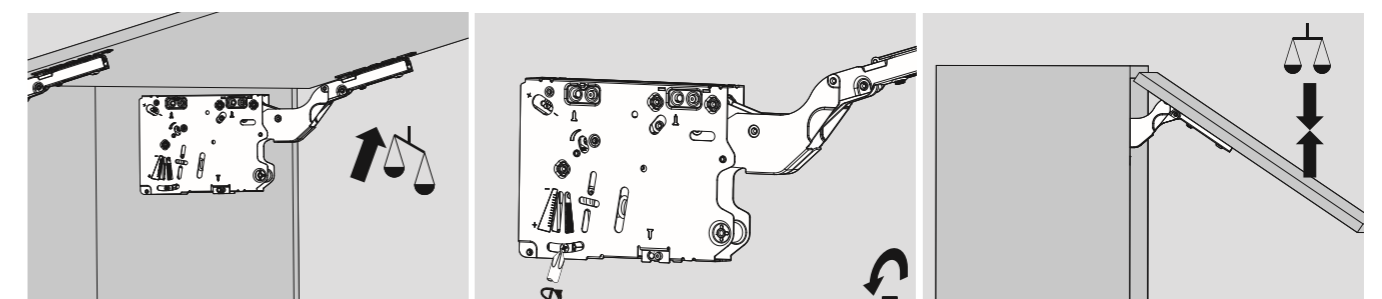
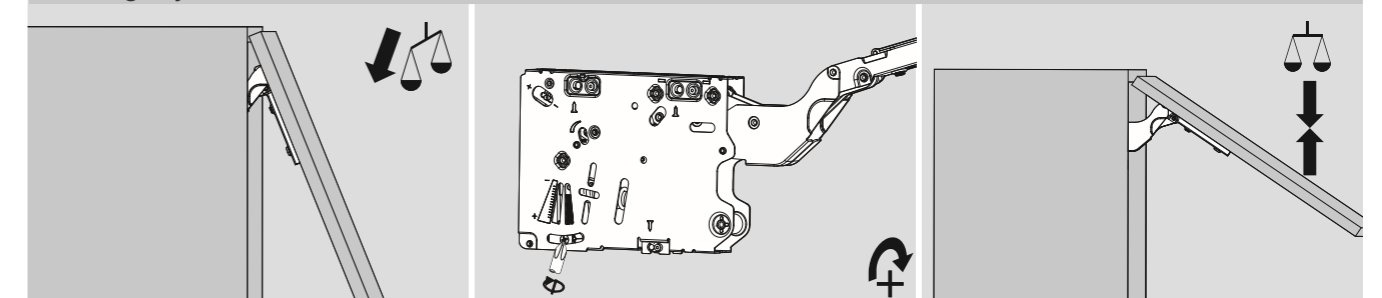
Caution when opening arm

The arm of this device could spring up and cause injury. Do not push the arm down without door attached.



Door Assembly

## Hovering Adjustment



Nexus Enterprises

# TOP-STAYS

Assembly , Removal and Adjustment(for SF series Lifting System)

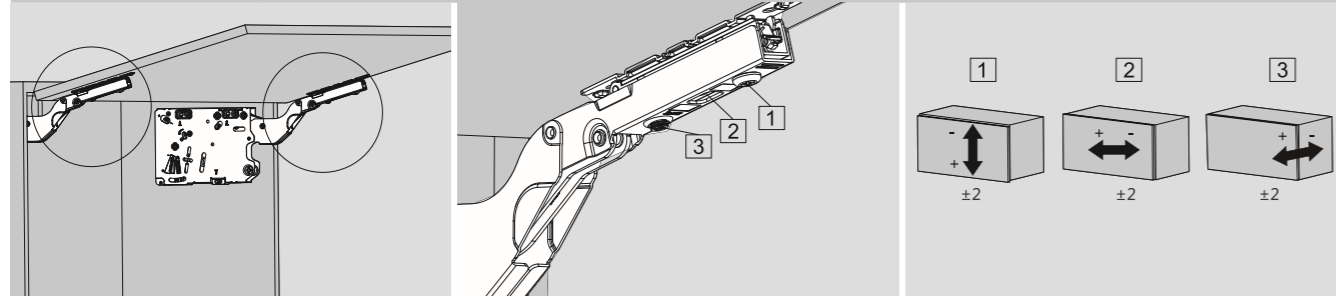


## Closing Speed Adjustment

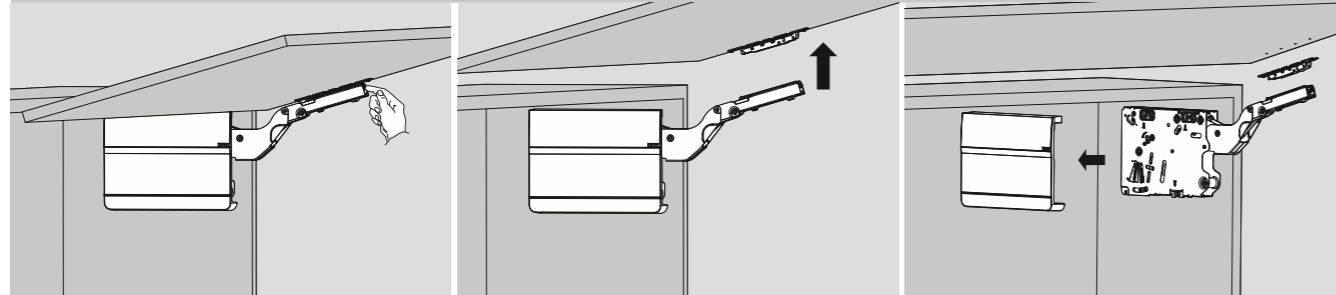


"+" increasing soft-closing time (turn adjustment screw counter-clockwise)  
"-" reducing soft-closing time (turn adjustment screw clockwise)

## Door Position Adjustment



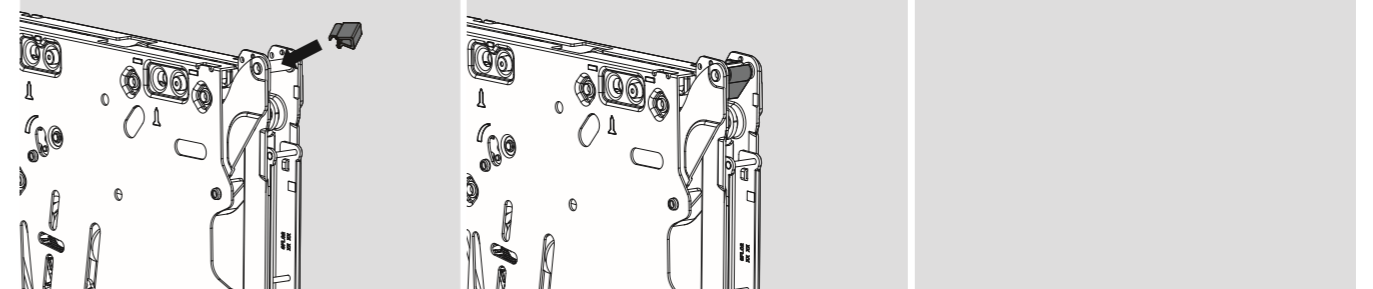
## Removal



The arm of this device could spring up and cause injury!

Do not push the arm down without door attached

## Opening angle restriction clip



Assembly

Nexus Enterprises

