

LIFTING
SYSTEM

SQ Series

TOP-STAYS



TOP-STAYS

The new experience of the lift-up door

Agile and Unconstrained,
Innovation and Ingenuity



- A rigorous mechanical design, adjustable opening and hovering forces and closing speed
- A superb manufacturing process, gentle and quiet closing
- Stylish design with single and dual-colour cover caps



Quietness



Intelligence



Durability



Eco-Friendliness

TOP-STAYS

SQ Series Lifting System

Smooth and unconstrained, comfortable and elegant
— An entirely new experience of lift-up



The SQ lift-up support lifts the single door upwards making it suitable for wall cabinets as well as high cabinets.
Places of application: Kitchen, living room, office and bathroom

- Opening angle 107°, making it possible to easily take without any constraint the articles inside the cabinet
- Silent and smooth closing
- Easy to open and stays at any desired position
- Adjustable soft-closing speed
- Adjustable opening and hovering forces
- Snap-fit mechanism makes installation and dismantling very easy
- Stylish design with single and dual-colour cover caps
- Suitable for wall cabinets with cornice
- High stability, even with wide doors

Opening and closing – Gentle and unconstrained



Easy to open Opening angle 107° Soft-closing and stays at any desired angle Seamless closing

The outstanding points



The unique adjustable closing speed Adjustable opening and hovering forces Door position:3D adjustable Personal decorative cover

Customized cover caps

Single caps series



white grey

Dual-colour caps series



white+ light grey white+ nickel plated

Dual-colour caps series



grey+ dark grey grey+ nickel plated

Nexus Enterprises

PRODUCT



DESCRIPTION

- Opening angle: 107°
- Cabinet width up to 1200mm
- Cabinet height: 250~500mm
- Door thickness: 16~28mm
- 3D door adjustments:
Height adjustment: +/-2mm,
Depth adjustment: +/-2mm,
Side adjustment: +/-2mm,
- Easy to open, and stays at any desired position
- Adjustable soft-closing speed
- Adjustable opening and hovering forces
- Tool free assembly and removal
- Single and dual-colour caps at your disposal

Power factor LF=

Cabinet height KH(mm) x door weight incl. double handle weight(kg)

Note: The power factor LF and the door weight can be increased by 50% when a third lift mechanism is used.

ORDER INFORMATION

1		Lift Mechanism set/ Industrial Package			
		Opening angle: 107°			
		Power Factor LF	Dynamic	Item No.	Set/ctn
		580-1250	Light	SQ00AL	10
		960-2040	Medium	SQ00AM	10
		1800-3500	Strong	SQ00AH	10

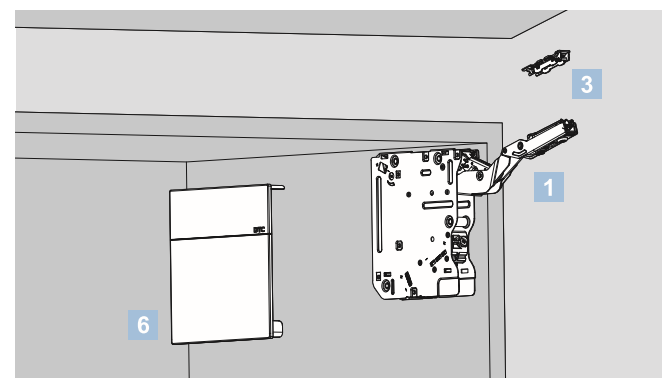
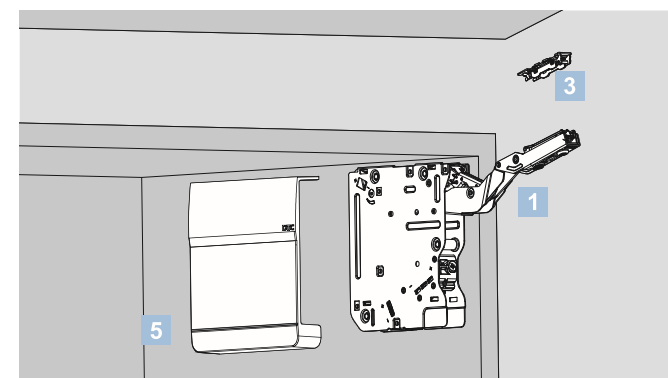
3		Front Fixing-brackets set/Industrial Package		
		For Wooden Door and Wide Alu Frames		
		Nickel Plated		
		Item No.	SQ00YQ	
		Set/ctn	200	

5		Single Caps(left/right) / Industrial Package		
		Colour	Item No.	Set/ctn
		White	SQJS02A	20
		Grey	SQJS02B	20

2		Opening angle restriction clip / Industrial Package		
		Plastic		
	100°	Dark grey (H11)		
4		Narrow Alu Frame fixing-brackets set		
		Industrial Package		
		For Narrow Alu Frames		
		Nickel Plated(A01)		
		Item No.	SQ00H	
		Set/ctn	100	
		10 pcs Φ3.5X8.5mm countersunk screws included		

4		Narrow Alu Frame fixing-brackets set		
		Industrial Package		
		For Narrow Alu Frames		
		Nickel Plated(A01)		
		Item No.	SQ00H	
		Set/ctn	100	
		10 pcs Φ3.5X8.5mm countersunk screws included		

6		Dual-colour Caps(left/right) / Industrial Package		
		Colour	Item No.	Set/ctn
		White+ light grey	SQJS01A	20
		Grey+ dark grey	SQJS01B	20
		White+ nickel plated	SQJS01C	20
		Grey+ nickel plated	SQJS01D	20



ORDER INFORMATION

T1 Recommended Kit Package				
Including:				
1x lift mechanism set	1x white single caps set	1x front fixing-brackets set	8x wooden screws Ø4X38mm	4x wooden screws Ø4X16mm
Please select the corresponding kit package item No. according to power factor and cabinet height				
Power Factor(LF)	Cabinet Height	Kit package item No.		
580-1250	250-400mm	SQ00AL02A		
960-2040	400-500mm	SQ00AM02A		
1800-3500	500mm	SQ00AH02A		

T2 Recommended Kit Package				
Including:				
1x lift mechanism set	1x grey single caps set	1x front fixing-brackets set	8x wooden screws Ø4X38mm	4x wooden screws Ø4X16mm
Please select the corresponding kit package item No. according to power factor and cabinet height				
Power Factor(LF)	Cabinet Height	Kit package item No.		
580-1250	250-400mm	SQ00AL02B		
960-2040	400-500mm	SQ00AM02B		
1800-3500	500mm	SQ00AH02B		

T3 Recommended Kit Package				
Including:				
1x lift mechanism set	1x white+nickel plated dual-colour caps set	1x front fixing-brackets set	8x wooden screws Ø4X38mm	4x wooden screws Ø4X16mm
Please select the corresponding kit package item No. according to power factor and cabinet height				
Power Factor(LF)	Cabinet Height	Kit package item No.		
580-1250	250-400mm	SQ00AL01A		
960-2040	400-500mm	SQ00AM01A		
1800-3500	500mm	SQ00AH01A		

T4 Recommended Kit Package				
Including:				
1x lift mechanism set	1x grey+dark grey dual-colour caps set	1x front fixing-brackets set	8x wooden screws Ø4X38mm	4x wooden screws Ø4X16mm
Please select the corresponding kit package item No. according to power factor and cabinet height				
Power Factor(LF)	Cabinet Height	Kit package item No.		
580-1250	250-400mm	SQ00AL01B		
960-2040	400-500mm	SQ00AM01B		
1800-3500	500mm	SQ00AH01B		

T5 Recommended Kit Package				
Including:				
1x lift mechanism set	1x white+nickel plated dual-colour caps set	1x front fixing-brackets set	8x wooden screws Ø4X38mm	4x wooden screws Ø4X16mm
Please select the corresponding kit package item No. according to power factor and cabinet height				
Power Factor(LF)	Cabinet Height	Kit package item No.		
580-1250	250-400mm	SQ00AL01C		
960-2040	400-500mm	SQ00AM01C		
1800-3500	500mm	SQ00AH01C		

T6 Recommended Kit Package				
Including:				
1x lift mechanism set	1x grey+nickel plated dual-colour caps set	1x front fixing-brackets set	8x wooden screws Ø4X38mm	4x wooden screws Ø4X16mm
Please select the corresponding kit package item No. according to power factor and cabinet height				
Power Factor(LF)	Cabinet Height	Kit package item No.		
580-1250	250-400mm	SQ00AL01D		
960-2040	400-500mm	SQ00AM01D		
1800-3500	500mm	SQ00AH01D		

In the case of narrow alu frame application, order fixing-brackets SQ00H separately.

Nexus Enterprises

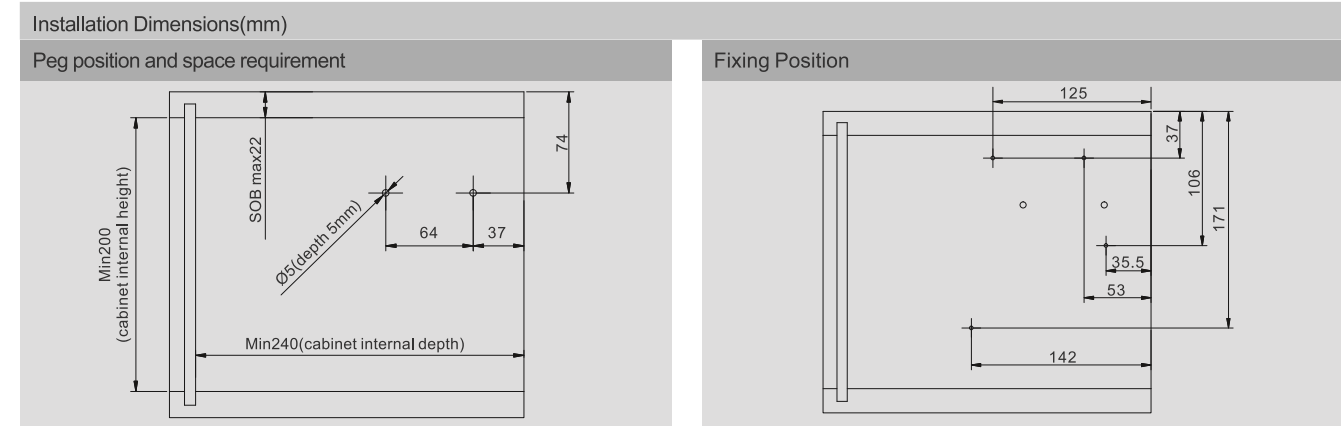
TOP-STAYS

SQ Series Lifting System

TOP-STAYS

Assembly, Removal and Adjustment (for SQ series Lifting System)

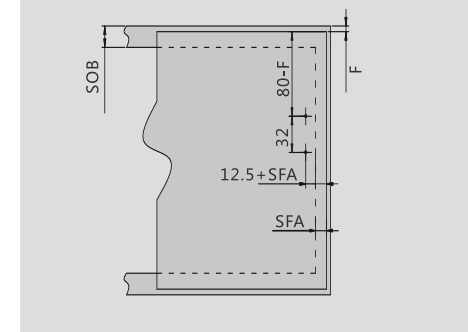
PLANNING



SOB: top panel thickness

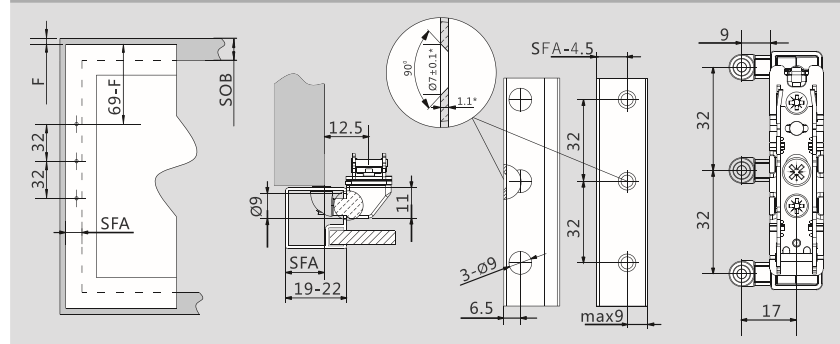
4x wooden screws $\varnothing 4 \times 38 \text{mm}$

Door planning and assembly- wooden doors and wide alu frames



4 wooden screws for wooden doors ($\varnothing 4 \times 16 \text{mm}$)
 4 countersunk screws for wide alu frames (M4X11mm)
 SFA: door overlay of the side panel
 F: gap

Door planning and assembly- narrow alu frames

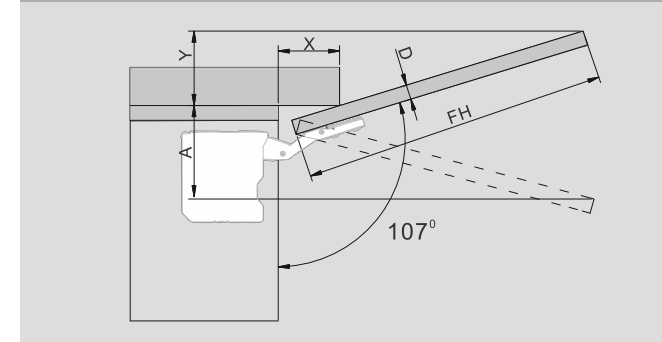


Frame width (mm)	19	20	21	22
SFA (mm)	15~19	16~20	17~21	18~22

10 countersunk screws for narrow alu frames ($\varnothing 3.5 \times 8.5 \text{mm}$)

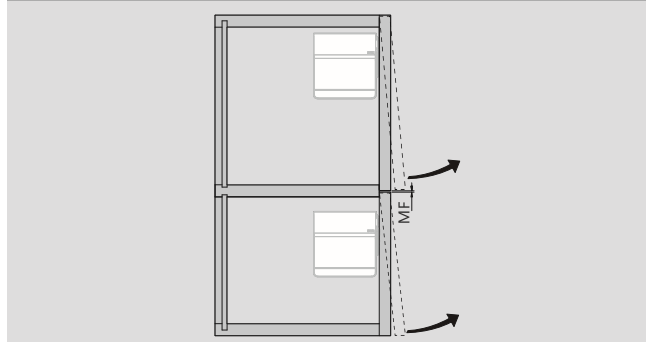
*When changing material thickness, adjust the assembly dimensions accordingly

Cornice/crown moulding clearance



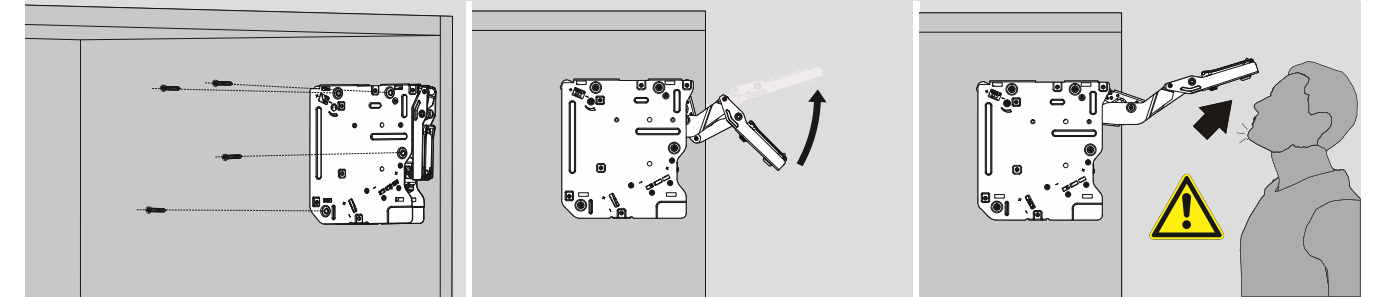
D (mm)	16	19	22	26	28
X (mm)	70	58	49	35	26
Opening angle restriction	Space requirement (mm)				
without	$Y = FH \times 0.29 - 15 + D$				
100°	$Y = FH \times 0.17 - 15 + D$				
75°	$A = FH \times 0.26 + 15 - D$				

Minimum gap



MF: Minimum gap 2mm

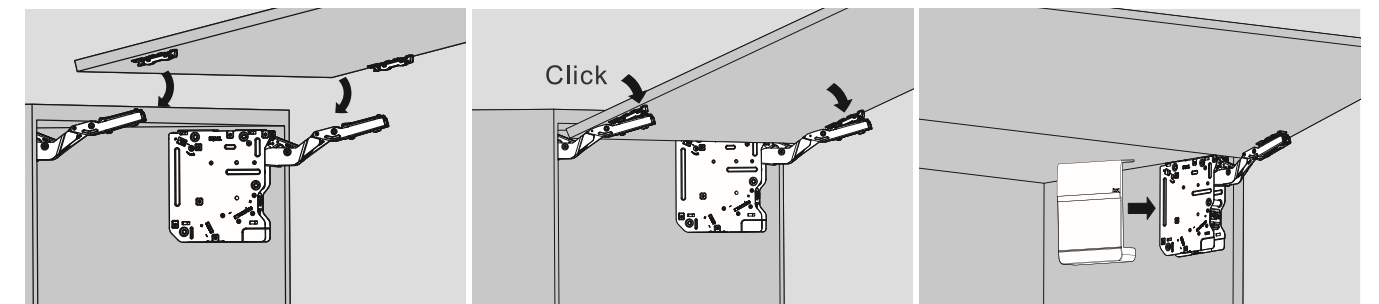
Assembly



Assembly

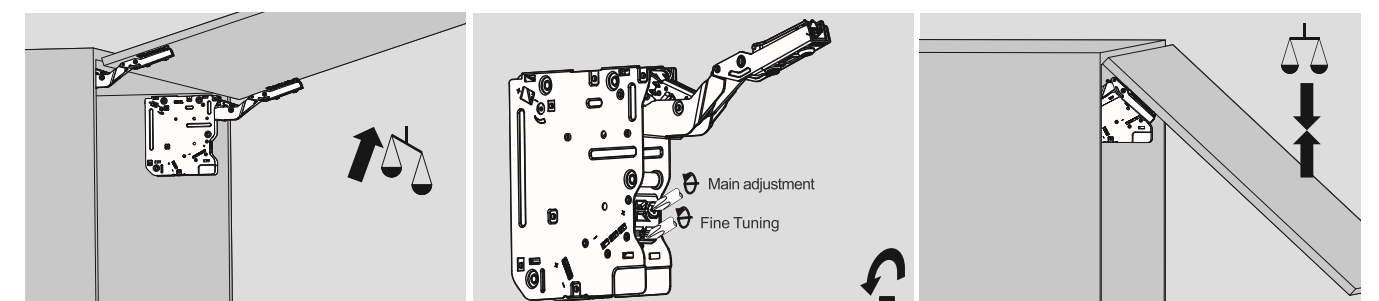
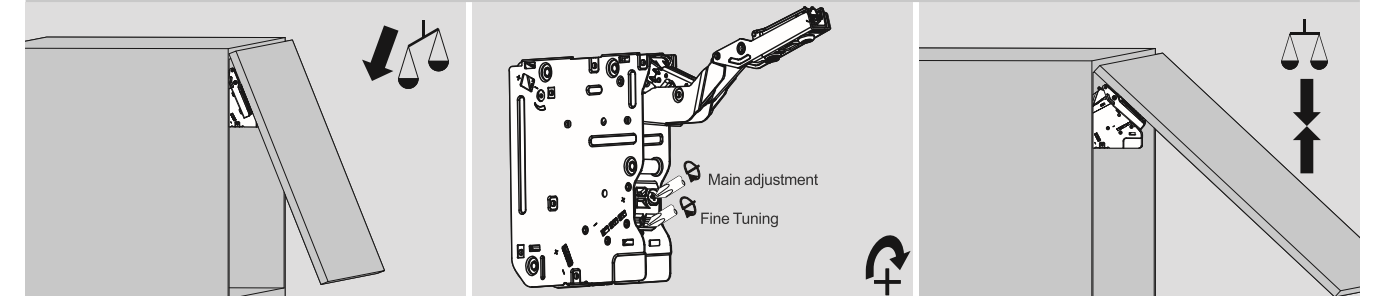
Caution when opening arm

The arm of this device could spring up and cause injury. Do not push the arm down without door attached.



Door Assembly

Hovering Adjustment



Nexus Enterprises

TOP-STAYS

Assembly , Removal and Adjustment(for SQ series Lifting System)

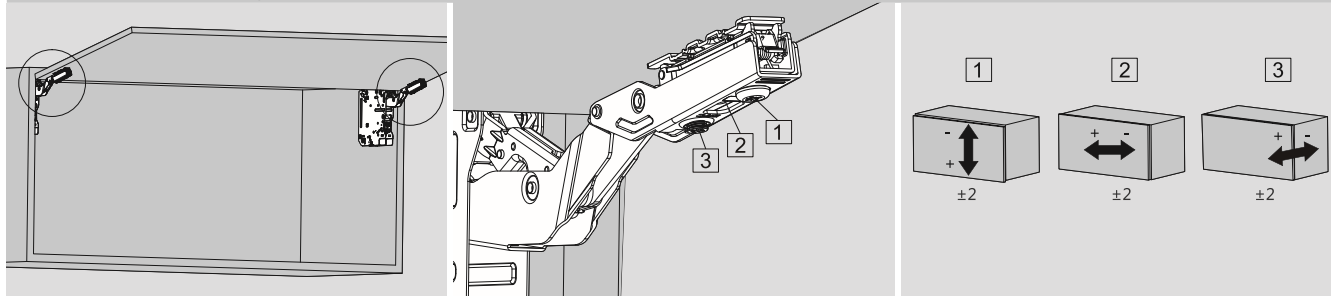


Closing Speed Adjustment

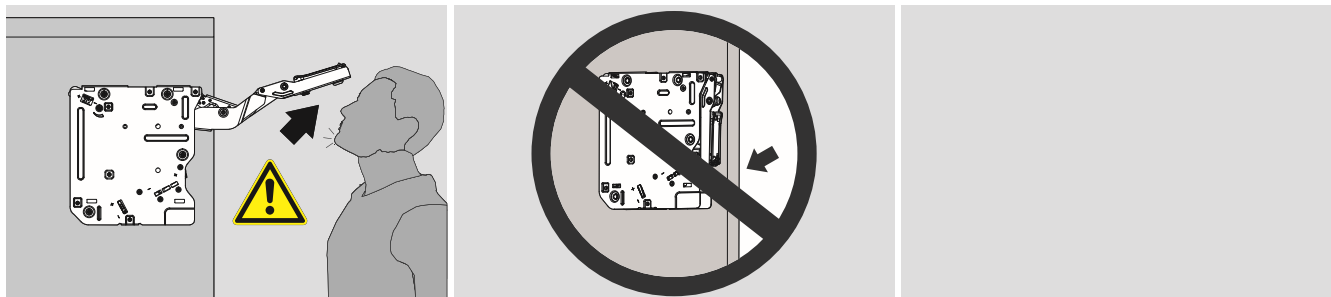
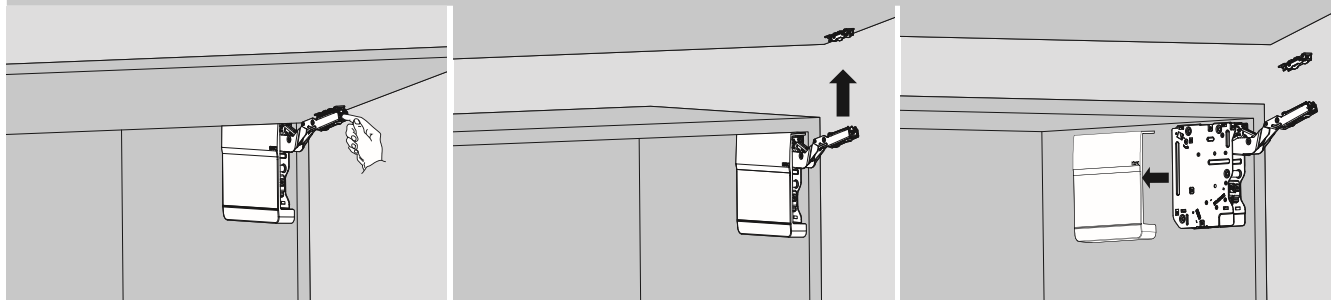


"+" increasing soft-closing time (turn adjustment screw counter-clockwise)
"-" reducing soft-closing time (turn adjustment screw clockwise)

Door Position Adjustment



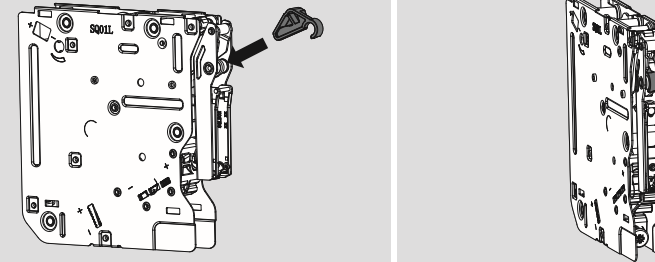
Removal



The arm of this device could spring up and cause injury!

Do not push the arm down without door attached

Opening angle restriction clip



Assembly

Nexus Enterprises

