

HINGE  
SERIES

STANDARD  
HINGES



STANDARD HIN

Perfect motion for every single space  
**Door Closing-Easy  
and Smooth**



- The well-made DTC standard hinges fit with a plenty of cabinet doors, supporting and facilitating designers ideas. The hinge's effortless opening, easy and smooth closing and long durability contribute to the enjoyment of the furniture users.
- Mature product range, widely used.



Quietness



Intelligence



Durability



Eco-Friendliness

# STANDARD HINGES

## C16 Series $\Phi$ 26mm Mini Hinges



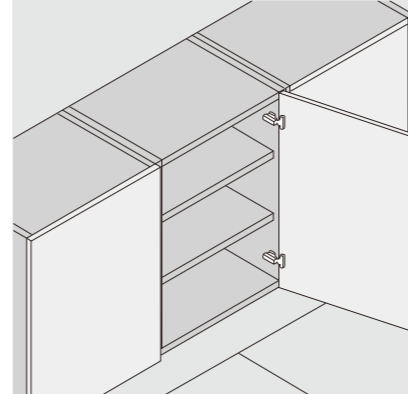
### PRODUCT



### DESCRIPTION

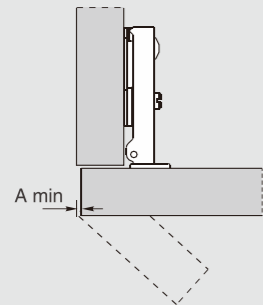
- Opening angle: 105°
- Depth of hinge cup: 10mm
- Diameter of hinge cup: 26mm
- Range of door thickness: 12-22mm
- Possible drilling distances on the door(K): 3-7mm

### APPLICATION



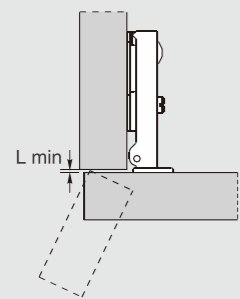
### PLANNING

#### Space needed to open the door



	T=	12	13	14	15	16	17	18	19	20	21	22
K=3	A	0.5	0.8	1.1	1.4	1.9	2.6	3.4	4.2	5.1	6.0	6.9
K=4	A	0.5	0.7	1.0	1.4	1.8	2.3	3.0	3.8	4.6	5.4	6.3
K=5	A	0.5	0.7	1.0	1.3	1.7	2.2	2.8	3.4	4.2	5.0	5.8
K=6	A	0.4	0.6	0.9	1.2	1.6	2.0	2.5	3.2	3.9	4.6	5.4
K=7	A	0.4	0.6	0.9	1.2	1.5	1.9	2.4	2.9	3.6	4.3	5.0

#### Space needed to open the door

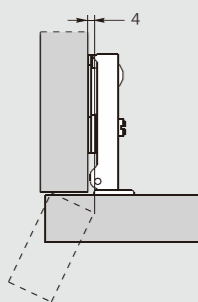


	T=	12	13	14	15	16	17	18	19	20	21	22
K=3	L=	0.0	0.0	0.0	0.0	0.0	0.1	0.1	0.3	0.5	0.6	0.8
K=4	L=	0.0	0.2	0.4	0.6	0.7	0.9	1.1	1.3	1.4	1.6	1.8
K=5	L=	1.0	1.2	1.4	1.6	1.7	1.9	2.1	2.2	2.4	2.6	2.8
K=6	L=	2.0	2.2	2.4	2.5	2.7	2.9	3.1	3.2	3.4	3.6	3.8
K=7	L=	3.0	3.2	3.4	3.5	3.7	3.9	4.0	4.2	4.4	4.6	4.7

- The above values are calculated on the assumption that the doors have square edges.
- They are reduced if the doors have radiused edges.

#### Projection of the door

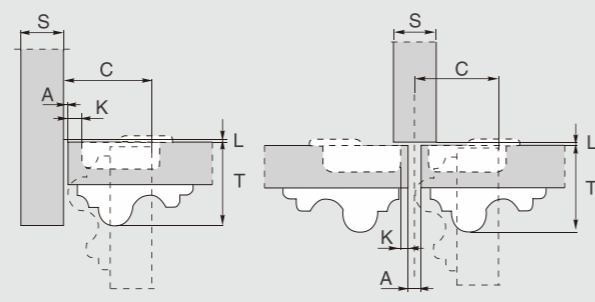
Projection of the door from the cabinet side at the max. opening. The figures are based on a straight arm hinge, H=0mm mounting plate and drilling distance (K)=3mm.



#### "C" value

$$C=13+K+A$$

With this formula you can obtain the max. thickness of the moulded door that can be opened without touching adjacent carcass sides, doors or walls, whilst bearing in mind the above L-K-T values.



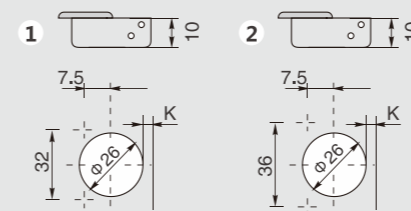
### ORDER INFORMATION



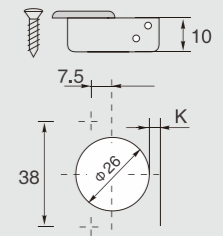
#### $\Phi$ 26mm Options of screws and dowels:

	M10 dowel Dowel No: <b>M</b>		Quick dowel Dowel No: <b>T0</b>
	M8 dowel Dowel No: <b>N</b>		
	Euro screw Dowel No: <b>B</b>		

#### $\Phi$ 26mm Hinge cup types



Use these formulas to determine the type of hinge arm, the drilling distance "K" and the height of the mounting plate "H" for each door application.



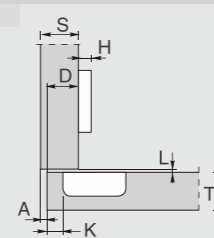
Nickel plated(A02)

#### C16 series slide-on mini hinge 105° (two way)

##### Full overlay C=0



##### H=12.5+K-(D)

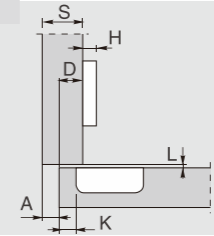


	Item No.	Pcs/ctn
Sprung	<b>C16A273</b>	200

##### Half overlay C=9



##### H=3.5+K-(D)

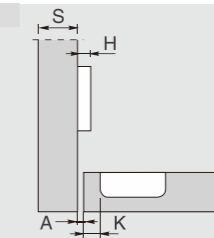


	Item No.	Pcs/ctn
Sprung	<b>C16B273</b>	200

##### Inset C=17



##### H=-4.5+K+(A)



Sprung	<b>C16C273</b>	200
--------	----------------	-----

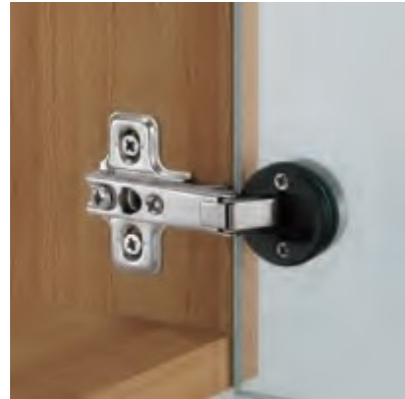
Nexus Enterprises

# STANDARD HINGES

## C16 Series $\Phi$ 26mm Mini Glass Hinges



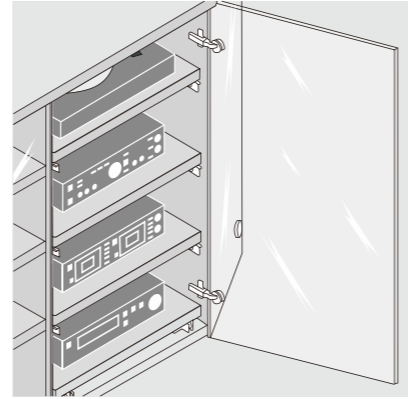
### PRODUCT



### DESCRIPTION

- Opening angle: 95°
- Depth of hinge cup: 10.6mm
- Diameter of hinge cup: 26mm
- Available glass door thickness: 4-6mm
- Possible drilling distances on the glass door(K): 4-7mm

### APPLICATION



### ORDER INFORMATION

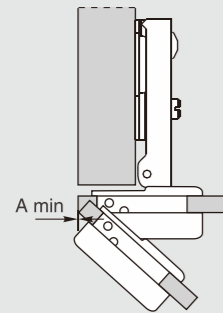


#### Available finishes for $\Phi$ 26mm covers

Chrome:	C01
Dark Chrome:	C02
Bright Silver:	C03
Silver:	C04
Satin Gold:	C05
Satin Silver:	C06
Satin Chrome:	C07
Bright Gold:	C08
Silver Grey:	C09

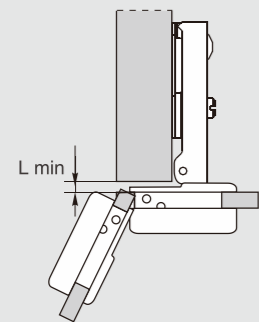
### PLANNING

#### Space needed to open the door



	T=	12	13	14	15	16	17	18	19	20	21	22
K=4	A=	0.5	0.7	1.0	1.4	1.8	2.3	3.0	3.8	4.6	5.4	6.3
K=5	A=	0.5	0.7	1.0	1.3	1.7	2.2	2.8	3.4	4.2	5.0	5.8
K=6	A=	0.4	0.6	0.9	1.2	1.6	2.0	2.5	3.2	3.9	4.6	5.4
K=7	A=	0.4	0.6	0.9	1.2	1.5	1.9	2.4	2.9	3.6	4.3	5.0

#### Space needed to open the door

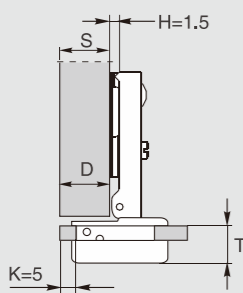


	T=	12	13	14	15	16	17	18	19	20	21	22
K=4	L=	0.0	0.2	0.4	0.6	0.7	0.9	1.1	1.3	1.4	1.6	1.8
K=5	L=	1.0	1.2	1.4	1.6	1.7	1.9	2.1	2.2	2.4	2.6	2.8
K=6	L=	2.0	2.2	2.4	2.5	2.7	2.9	3.1	3.2	3.4	3.6	3.8
K=7	L=	3.0	3.2	3.4	3.5	3.7	3.9	4.0	4.2	4.4	4.6	4.7

- The above values are calculated on the assumption that the doors have square edges.
- They are reduced if the doors have radiused edges.

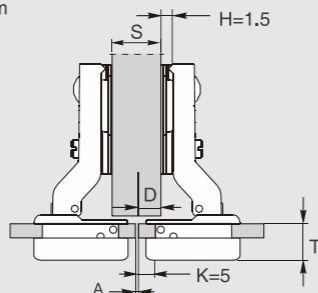
#### C=0 Application with full overlay door

D=19.5mm



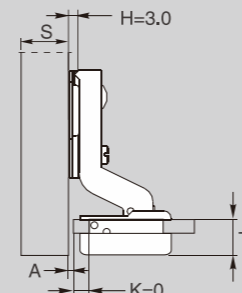
#### C=9 Application with half overlay door

D=8.5mm



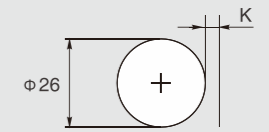
#### C=17 Application with inset door

A=1mm



#### Options of $\Phi$ 26mm covers:

	Item No.	Pcs/ctn
ABS oval cover	P2B	200
ABS round cover	P2C	200
Metal oval cover	Z3B	200
Metal round cover	Z3C	200



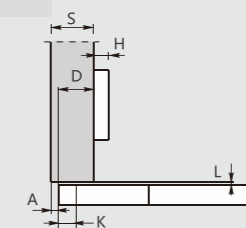
Nickel plated(A02)

#### C16 series slide-on mini glass hinge 95° (two way)

##### Full overlay C=0



H=12.5+K-(D)

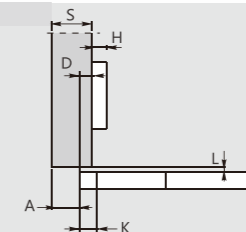


	Item No.	Pcs/ctn
Sprung	C16A250	200

##### Half overlay C=9



H=3.5+K-(D)

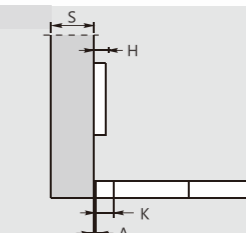


	Item No.	Pcs/ctn
Sprung	C16B250	200

##### Inset C=17



H=-4.5+K+(A)



	Item No.	Pcs/ctn
Sprung	C16C250	200

Nexus Enterprises

# STANDARD HINGES

## C98 Series $\Phi$ 35mm Hinges



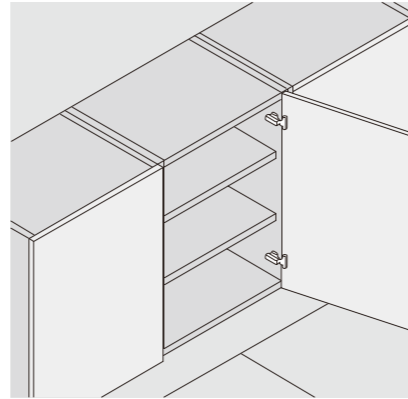
### PRODUCT



### DESCRIPTION

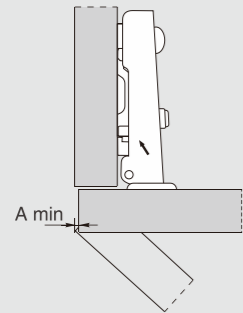
- Opening angle: 110°
- Depth of hinge cup: 11.3mm
- Diameter of hinge cup: 35mm
- Range of door thickness: 14-24mm
- Possible drilling distances on the door(K): 3-7mm

### APPLICATION



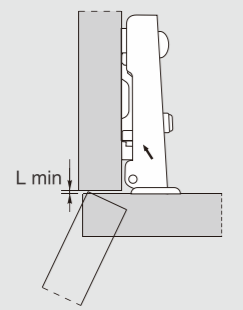
### PLANNING

#### Space needed to open the door



	T=	14	15	16	17	18	19	20	21	22	23	24
K=3	A=	0.2	0.4	0.6	0.8	1.1	1.5	2.0	2.7	3.5	4.3	5.1
K=4	A=	0.2	0.4	0.6	0.8	1.1	1.4	1.9	2.4	3.1	3.9	4.7
K=5	A=	0.2	0.3	0.5	0.8	1.0	1.4	1.8	2.3	2.9	3.5	4.3
K=6	A=	0.2	0.3	0.5	0.7	1.0	1.3	1.7	2.1	2.6	3.3	4.0
K=7	A=	0.2	0.3	0.5	0.7	0.9	1.2	1.6	2.0	2.5	3.0	3.7

#### Space needed to open the door

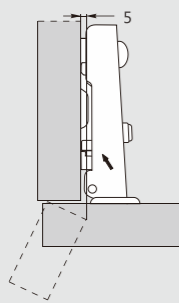


	T=	14	15	16	17	18	19	20	21	22	23	24
K=3	L=	0.0	0.0	0.0	0.1	0.3	0.5	0.7	0.8	1.0	1.2	1.4
K=4	L=	0.6	0.8	1.0	1.1	1.3	1.5	1.7	1.8	2.0	2.2	2.3
K=5	L=	1.6	1.8	1.9	2.1	2.3	2.5	2.6	2.8	3.0	3.2	3.3
K=6	L=	2.6	2.8	2.9	3.1	3.3	3.4	3.6	3.8	4.0	4.1	4.3
K=7	L=	3.6	3.7	3.9	4.1	4.3	4.4	4.6	4.8	5.0	5.1	5.3

- The above values are calculated on the assumption that the doors have square edges.
- They are reduced if the doors have radiused edges.

#### Projection of the door

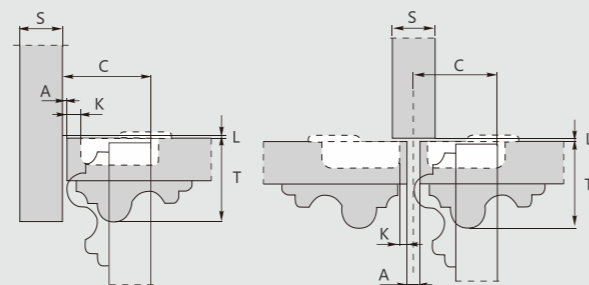
Projection of the door from the cabinet side at the max. opening. The figures are based on a straight arm hinge, H=0mm mounting plate and drilling distance (K) =3mm.



#### "C" value

$$C=17.5+K+A$$

With this formula you can obtain the max. thickness of the moulded door that can be opened without touching adjacent carcass sides, doors or walls, whilst bearing in mind the above L-K-T values.



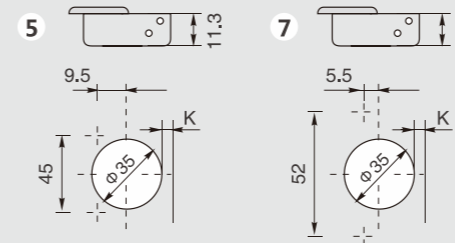
### ORDER INFORMATION



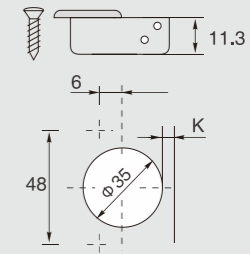
#### $\Phi$ 35mm Options of screws and dowels:

M10 dowel Dowel No: M	Expandable dowel Dowel No: K
M8 dowel Dowel No: N	Expandable dowel Dowel No: K0
Euro screw Dowel No: B	Quick dowel Dowel No: T0

#### $\Phi$ 35mm Hinge cup types



Use these formulas to determine the type of hinge arm, the drilling distance "K" and the height of the mounting plate "H" for each door application.



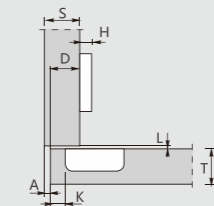
Nickel plated((A02)

#### C98 series snap-on hinge 110° (two way, cam-adjustable)

##### Full overlay C=0



##### H=14+K-(D)



Sprung

Item No.

C98A676

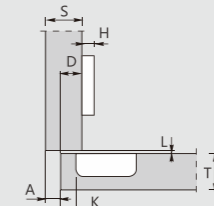
Pcs/ctn

200

##### Half overlay C=9



##### H=5+K-(D)



Sprung

Item No.

C98B676

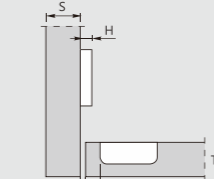
Pcs/ctn

200

##### Inset C=18



##### H=-4+K+(A)



Sprung

Item No.

C98C676

Pcs/ctn

200

Nexus Enterprises

# STANDARD HINGES

C98 Series  $\Phi$  35mm Glass Hinges



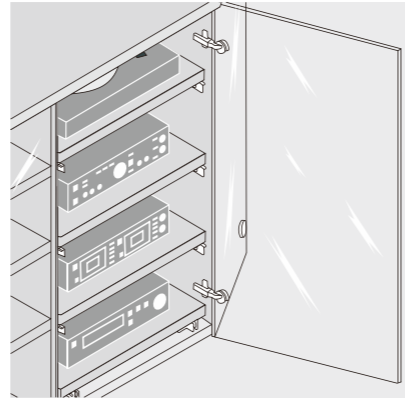
## PRODUCT



## DESCRIPTION

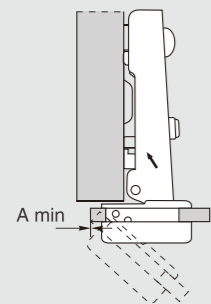
- Opening angle: 110°
- Depth of hinge cup: 11mm
- Diameter of hinge cup: 35mm
- Available glass door thickness: 4-6mm
- Possible drilling distances on the glass door(K): 4-7mm

## APPLICATION



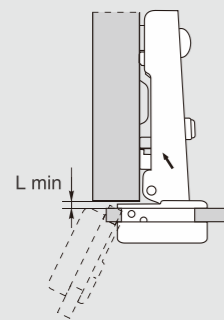
## PLANNING

### Space needed to open the door



	T=	14	15	16	17	18	19	20	21	22	23	24
K=4	A=	0.2	0.4	0.6	0.8	1.1	1.4	1.9	2.4	3.1	3.9	4.7
K=5	A=	0.2	0.3	0.5	0.8	1.0	1.4	1.8	2.3	2.9	3.5	4.3
K=6	A=	0.2	0.3	0.5	0.7	1.0	1.3	1.7	2.1	2.6	3.3	4.0
K=7	A=	0.2	0.3	0.5	0.7	0.9	1.2	1.6	2.0	2.5	3.0	3.7

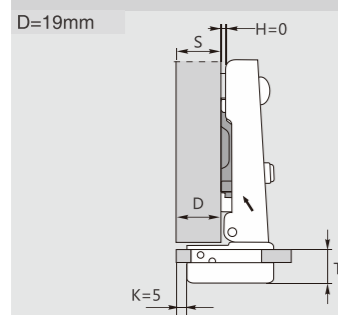
### Space needed to open the door



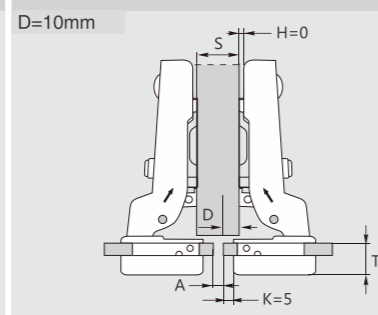
	T=	14	15	16	17	18	19	20	21	22	23	24
K=4	L=	0.6	0.8	1.0	1.1	1.3	1.5	1.7	1.8	2.0	2.2	2.3
K=5	L=	1.6	1.8	1.9	2.1	2.3	2.5	2.6	2.8	3.0	3.2	3.3
K=6	L=	2.6	2.8	2.9	3.1	3.3	3.4	3.6	3.8	4.0	4.1	4.3
K=7	L=	3.6	3.7	3.9	4.1	4.3	4.4	4.6	4.8	5.0	5.1	5.3

- The above values are calculated on the assumption that the doors have square edges.
- They are reduced if the doors have radiused edges.

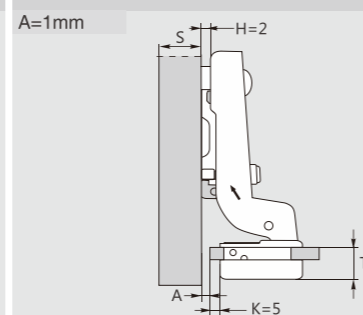
### C=0 Application with full overlay door



### C=9 Application with half overlay door



### C=18 Application with inset door



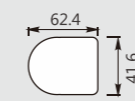
## ORDER INFORMATION



### Available finishes for $\Phi$ 35mm covers

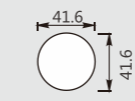
Chrome:	C01
Dark Chrome:	C02
Bright Silver:	C03
Silver:	C04
Satin Gold:	C05
Satin Silver:	C06
Satin Chrome:	C07
Bright Gold:	C08
Silver Grey:	C09

### Options of $\Phi$ 35mm covers:



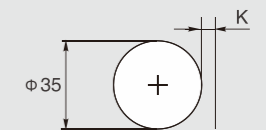
#### ABS oval cover

Item No.	A2B
Pcs/ctn	200



#### ABS round cover

Item No.	A2C
Pcs/ctn	200



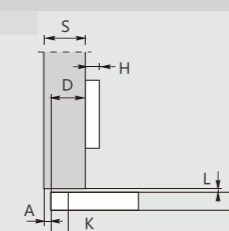
Nickel plated(A02)

### C98 series snap-on glass hinge 110° (two way, cam-adjustable)

#### Full overlay C=0



$$H=14+K-(D)$$



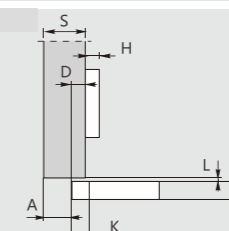
#### Sprung

Item No.	C98A670
Pcs/ctn	200

#### Half overlay C=9



$$H=5+K-(D)$$



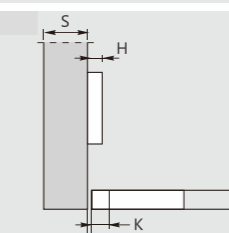
#### Sprung

Item No.	C98B670
Pcs/ctn	200

#### Inset C=18



$$H=-6+K+(A)$$



#### Sprung

Item No.	C98C670
Pcs/ctn	200

# STANDARD HINGES

C98 Series  $\Phi$  35mm Aluminium Frame Hinges



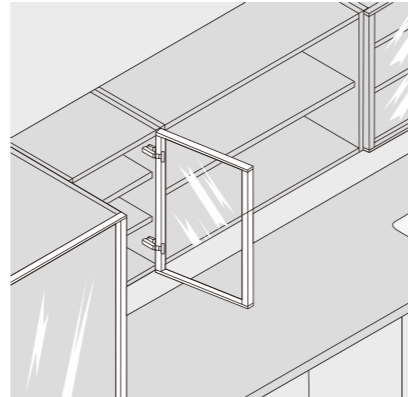
## PRODUCT



## DESCRIPTION

- Opening angle :110°
- Drilling dimension on aluminium frame hinge head : 28mm
- Range of width of aluminium frame (V) : 19-23 mm

## APPLICATION

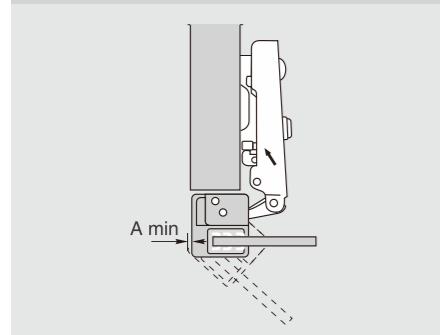


## ORDER INFORMATION



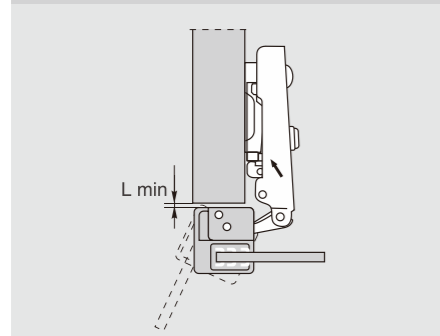
## PLANNING

### Space needed to open the door



	T=	14	15	16	17	18	19	20	21	22	23	24
K=19	A=	0.2	0.4	0.6	0.8	1.1	1.5	2.0	2.7	3.5	4.3	5.1
K=20	A=	0.2	0.4	0.6	0.8	1.1	1.4	1.9	2.4	3.1	3.9	4.7
K=21	A=	0.2	0.3	0.5	0.8	1.0	1.4	1.8	2.3	2.9	3.5	4.3
K=22	A=	0.2	0.3	0.5	0.7	1.0	1.3	1.7	2.1	2.6	3.3	4.0
K=23	A=	0.2	0.3	0.5	0.7	0.9	1.2	1.6	2.0	2.5	3.0	3.7

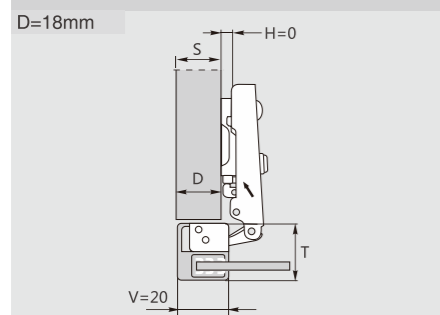
### Space needed to open the door



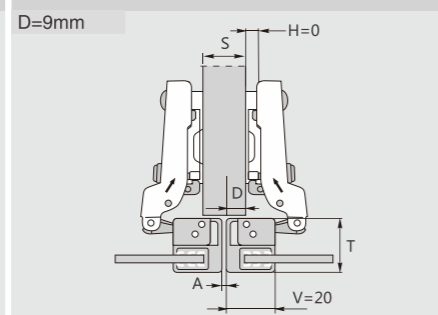
	T=	14	15	16	17	18	19	20	21	22	23	24
V=19	L=	0.0	0.0	0.0	0.1	0.3	0.5	0.7	0.8	1.0	1.2	1.4
V=20	L=	0.6	0.8	1.0	1.1	1.3	1.5	1.7	1.8	2.0	2.2	2.3
V=21	L=	1.6	1.8	1.9	2.1	2.3	2.5	2.6	2.8	3.0	3.2	3.3
V=22	L=	2.6	2.8	2.9	3.1	3.3	3.4	3.6	3.8	4.0	4.1	4.3
V=23	L=	3.6	3.7	3.9	4.1	4.3	4.4	4.6	4.8	5.0	5.1	5.3

- The above values are calculated on the assumption that the doors have square edges.
- They are reduced if the doors have radiused edges.

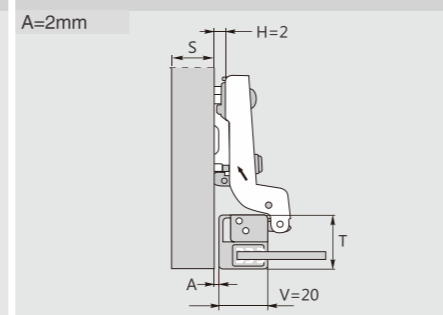
### C=0 Application with full overlay door



### C=9 Application with half overlay door

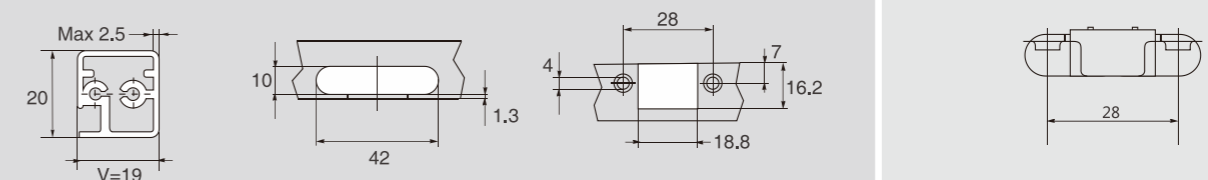


### C=18 Application with inset door



### Drilling Dimensions on Aluminium Frame

V:19mm-22mm



Use these formulas to determine the type of hinge arm, the drilling distance "K" and the height of the mounting plate "H" for each door application.

Nickel plated(A02)

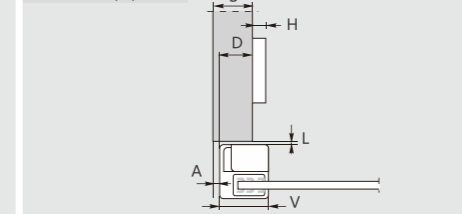
Nexus Enterprises

### C98 series snap-on al frame hinge 110° (two way, cam-adjustable)

Full overlay C=0



$H=-2 +V -(D)$

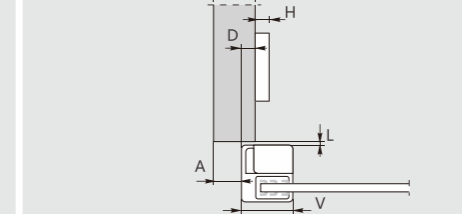


Sprung	
Item No.	<b>C98A630</b>
Pcs/ctn	200

Half overlay C=9



$H=-11 +V -(D)$

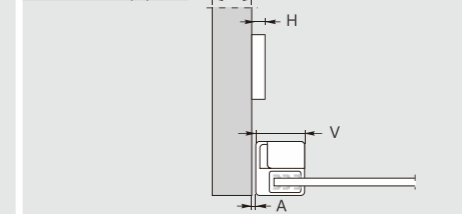


Sprung	
Item No.	<b>C98B630</b>
Pcs/ctn	200

Inset C=18



$H=-20 +V +(A)$



Sprung	
Item No.	<b>C98C630</b>
Pcs/ctn	200

# STANDARD HINGES

C98 Series  $\Phi$  35mm Angled Hinges



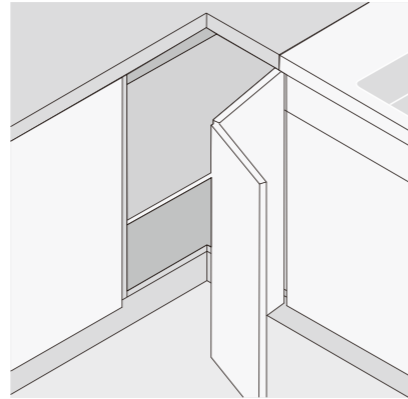
## PRODUCT



## DESCRIPTION

- Depth of hinge cup: 11.3mm
- Diameter of hinge cup: 35mm
- Range of door thickness: 14-24mm
- Possible drilling distances on the door(K): 3-7mm

## APPLICATION



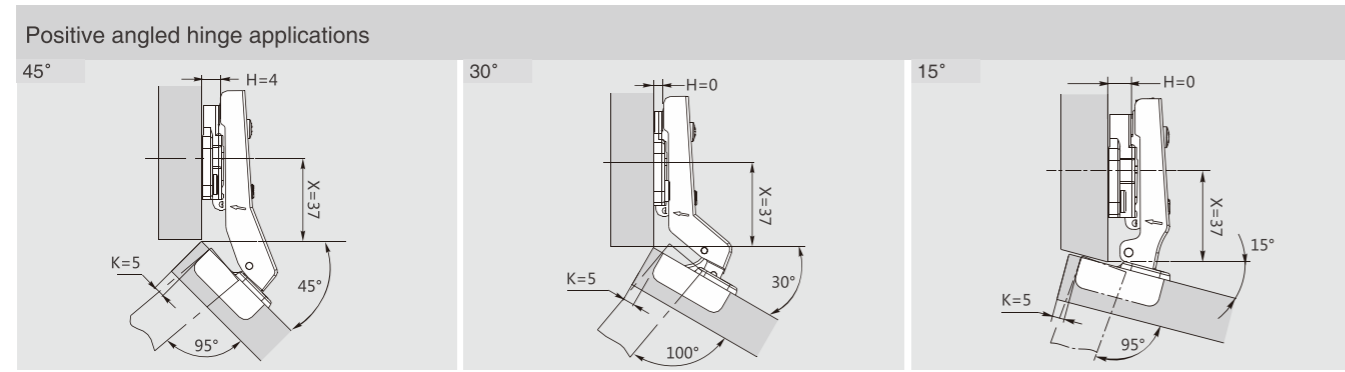
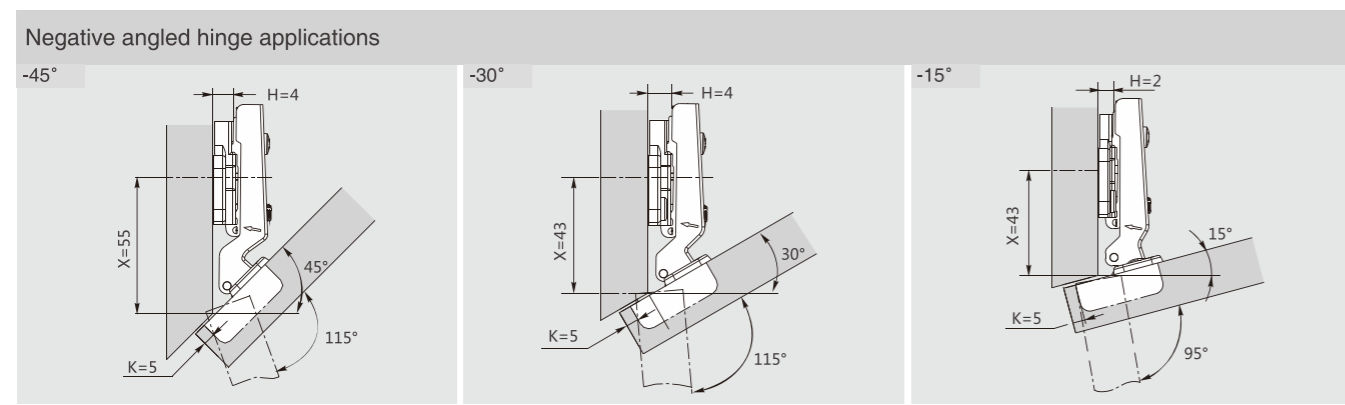
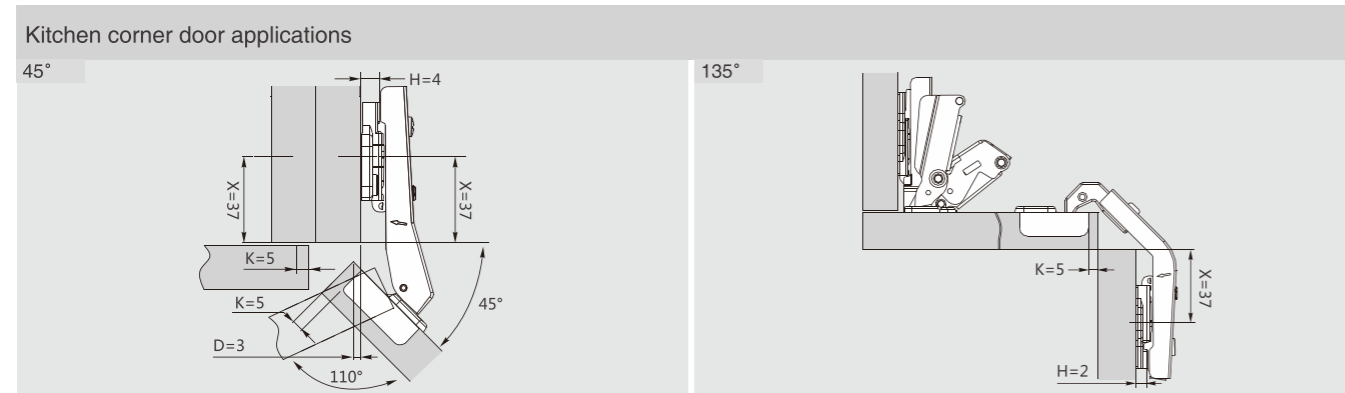
## ORDER INFORMATION



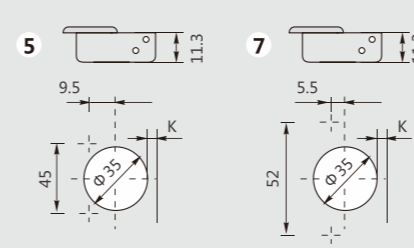
### $\Phi$ 35mm Options of screws and dowels:

M10 dowel Dowel No: M	Expandable dowel Dowel No: K
M8 dowel Dowel No: N	Expandable dowel Dowel No: K0
Euro screw Dowel No: B	Quick dowel Dowel No: T0

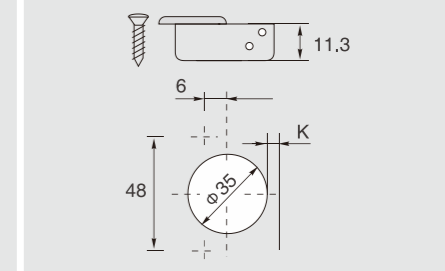
### $\Phi$ 35MM CORNER DOOR, BI-FOLD DOOR, -45°~45° ANGLED HINGE APPLICATIONS



### $\Phi$ 35mm Hinge cup types

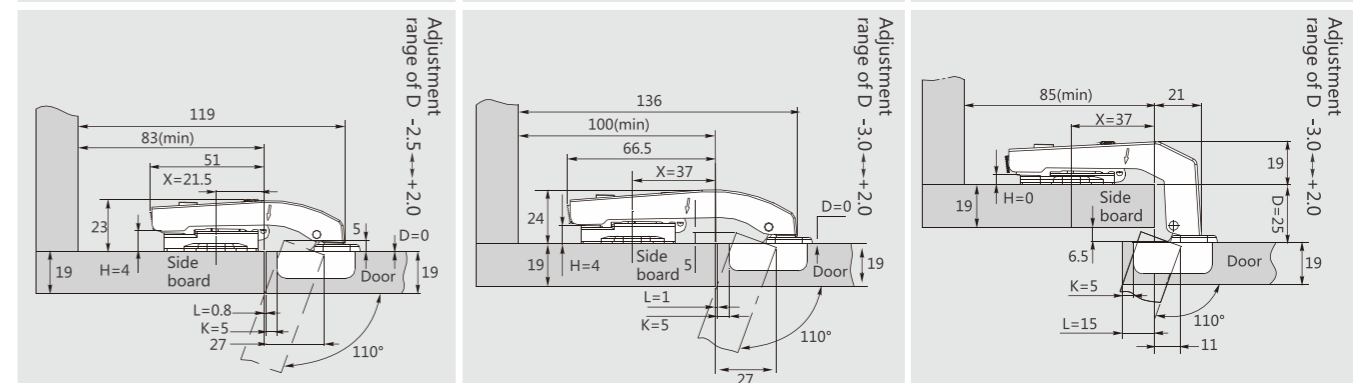


The solution of assembly problems where doors are mounted at a positive or negative angle requires the verification of drilling distances by a practical trial. Please do not hesitate to consult our technical support department for assistance.



Nickel plated(A02)

### C98 series snap-on angled hinge(two way, cam-adjustable)



Sprung	Item No. C98J676	Pcs/ctn	200	Sprung	Item No. C98G676	Pcs/ctn	200	Sprung	Item No. C98S676	Pcs/ctn	200
--------	------------------	---------	-----	--------	------------------	---------	-----	--------	------------------	---------	-----

Nexus Enterprises

# STANDARD HINGES

C98 Series  $\Phi$  35mm Angled Hinges



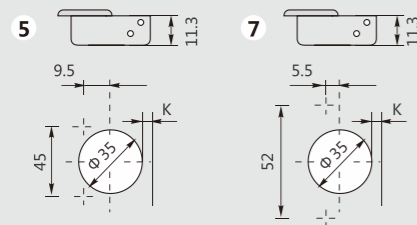
## ORDER INFORMATION



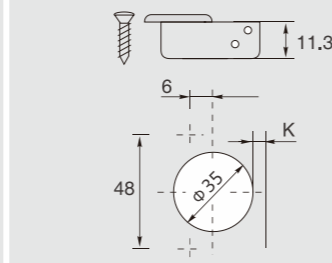
$\Phi$  35mm Options of screws and dowels:

M10 dowel Dowel No: <b>M</b>	Expandable dowel Dowel No: <b>K</b>
M8 dowel Dowel No: <b>N</b>	Expandable dowel Dowel No: <b>K0</b>
Euro screw Dowel No: <b>B</b>	Quick dowel Dowel No: <b>T0</b>

### $\Phi$ 35mm Hinge cup types



The solution of assembly problems where doors are mounted at a positive or negative angle requires the verification of drilling distances by a practical trial. Please do not hesitate to consult our technical support department for assistance.



Nickel plated(A02)

### C98 series snap-on angled hinge(two way, cam-adjustable)

135°	Full Overlay 15°	Small Overlay 20°
Sprung Item No. <b>C98H676</b> Pcs/ctn 200	Sprung Item No. <b>C98Q616</b> Pcs/ctn 200	Sprung Item No. <b>C98L616</b> Pcs/ctn 200

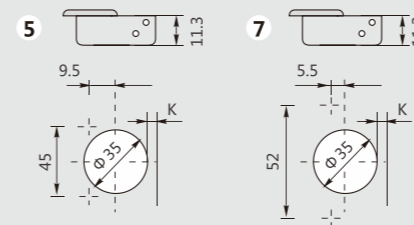
## ORDER INFORMATION



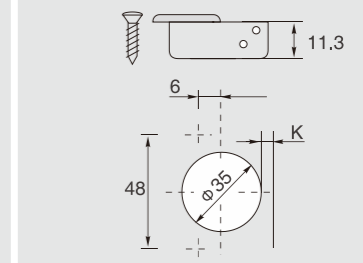
$\Phi$  35mm Options of screws and dowels:

M10 dowel Dowel No: <b>M</b>	Expandable dowel Dowel No: <b>K</b>
M8 dowel Dowel No: <b>N</b>	Expandable dowel Dowel No: <b>K0</b>
Euro screw Dowel No: <b>B</b>	Quick dowel Dowel No: <b>T0</b>

### $\Phi$ 35mm Hinge cup types



The solution of assembly problems where doors are mounted at a positive or negative angle requires the verification of drilling distances by a practical trial. Please do not hesitate to consult our technical support department for assistance.



Nickel plated(A02)

### C98 series snap-on angled hinge(two way, cam-adjustable)

Small Overlay 30°	Overlay 30°	Full Overlay 30°
Sprung Item No. <b>C98F6A6</b> Pcs/ctn 200	Sprung Item No. <b>C98W616</b> Pcs/ctn 200	Sprung Item No. <b>C98N616</b> Pcs/ctn 200

Nexus Enterprises



# STANDARD HINGES

C98 Series  $\Phi$  35mm Angled Hinges



## ORDER INFORMATION

**$\Phi$  35mm Options of screws and dowels:**

M10 dowel Dowel No: <b>M</b>	Expandable dowel Dowel No: <b>K</b>
M8 dowel Dowel No: <b>N</b>	Expandable dowel Dowel No: <b>K0</b>
Euro screw Dowel No: <b>B</b>	Quick dowel Dowel No: <b>T0</b>

**$\Phi$  35mm Hinge cup types**

The solution of assembly problems where doors are mounted at a positive or negative angle requires the verification of drilling distances by a practical trial. Please do not hesitate to consult our technical support department for assistance.

Nickel plated(A02)

**C98 series snap-on angled hinge(two way, cam-adjustable)**

<p>Small Overlay 37°</p> <p>Adjustment range of L: -0.6 --- +3.4</p> <p>Adjustment range of D: +2.5 --- -3.5</p> <p>Sprung</p> <p>Item No. <b>C98V616</b></p> <p>Pcs/ctn 200</p>	<p>Small Overlay 45°</p> <p>Adjustment range of L: -0.6 --- +3.4</p> <p>Adjustment range of D: +2.0 --- -4.0</p> <p>Sprung</p> <p>Item No. <b>C98E616</b></p> <p>Pcs/ctn 200</p>	<p>Overlay 45°</p> <p>Adjustment range of D: +2.0 --- -2.0</p> <p>Adjustment range of D1: +2.0 --- -4.0</p> <p>Sprung</p> <p>Item No. <b>C98P676</b></p> <p>Pcs/ctn 200</p>
--	--	---

## ORDER INFORMATION

**$\Phi$  35mm Options of screws and dowels:**

M10 dowel Dowel No: <b>M</b>	Expandable dowel Dowel No: <b>K</b>
M8 dowel Dowel No: <b>N</b>	Expandable dowel Dowel No: <b>K0</b>
Euro screw Dowel No: <b>B</b>	Quick dowel Dowel No: <b>T0</b>

**$\Phi$  35mm Hinge cup types**

The solution of assembly problems where doors are mounted at a positive or negative angle requires the verification of drilling distances by a practical trial. Please do not hesitate to consult our technical support department for assistance.

Nickel plated(A02)

**C98 series snap-on angled hinge(two way, cam-adjustable)**

<p>Full Overlay 45°</p> <p>Adjustment range of D: +1.0 --- -4.0</p> <p>Adjustment range of D1: +1.0 --- -4.0</p> <p>Sprung</p> <p>Item No. <b>C98M616</b></p> <p>Pcs/ctn 200</p>	<p>Full Overlay -15°</p> <p>Adjustment range of D: +2.0 --- -4.0</p> <p>Adjustment range of D1: +2.0 --- -4.0</p> <p>Sprung</p> <p>Item No. <b>C98U616</b></p> <p>Pcs/ctn 200</p>	<p>Full Overlay -30°</p> <p>Adjustment range of D: -2.0 --- +4.0</p> <p>Adjustment range of D1: +2.0 --- -4.0</p> <p>Sprung</p> <p>Item No. <b>C98Z686</b></p> <p>Pcs/ctn 200</p>
--	---	---

Nexus Enterprises

# STANDARD HINGES

C98 Series  $\Phi$  35mm 165° Hinges



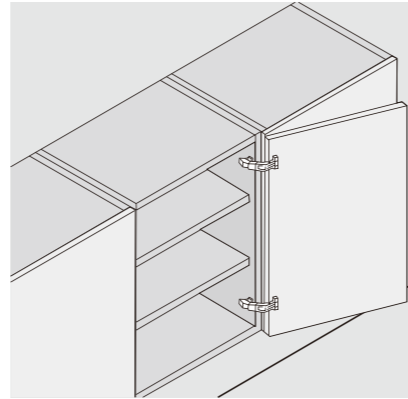
## PRODUCT



## DESCRIPTION

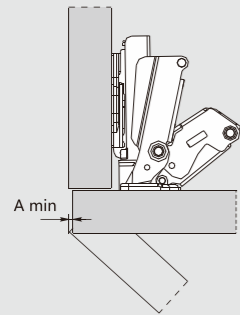
- Opening angle: 165°
- Depth of hinge cup: 11.3mm
- Diameter of hinge cup: 35mm
- Range of door thickness: 14-26mm
- Possible drilling distances on the door(K): 3-8 mm

## APPLICATION



## PLANNING

### Space needed to open the door

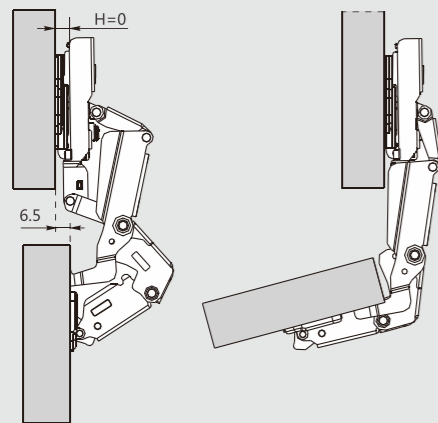


	T=	14	15	16	17	18	19	20	21	22	23	24	25	26
K=3	A=	0	0	0	0	0	0	0	0	0	0.2	0.6	1.1	4.4
K=4	A=	0	0	0	0	0	0	0	0	0	0.3	0.7	2.4	3.6
K=5	A=	0	0	0	0	0	0	0	0	0	0.3	0.9	2.0	2.9
K=6	A=	0	0	0	0	0	0	0	0	0	0.3	0.8	1.5	2.3
K=7	A=	0	0	0	0	0	0	0	0	0	0.2	0.6	1.2	1.9
K=8	A=	0	0	0	0	0	0	0	0	0	0.2	0.5	1.0	1.6

- The above values are calculated on the assumption that the doors have square edges.
- They are reduced if the doors have radiussed edges.

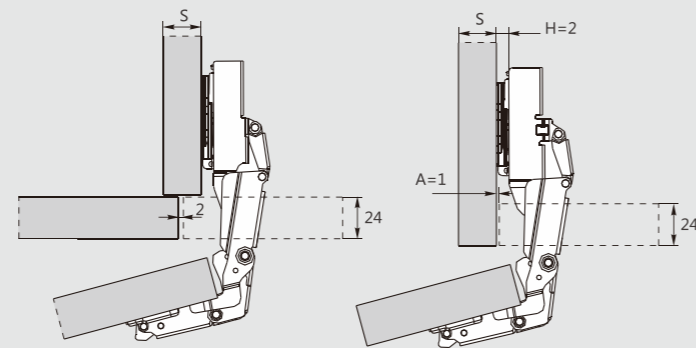
### Application

#### Full Overlay C=0



Below shows a straight arm hinge combined with a H=0mm mounting plate at its 90° opening angle and max. opening angle.

#### Half Overlay C=10



No gap is required when door thickness is less than 22mm. A trial assembly is recommended when door thickness is over 22mm.

#### Inset C=14

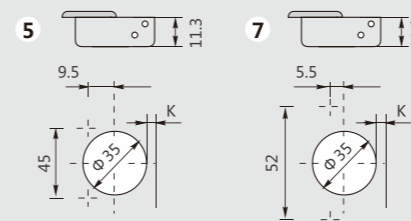
## ORDER INFORMATION



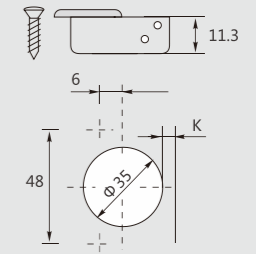
### Options of screws and dowels:

M10 dowel Dowel No: M	Expandable dowel Dowel No: K0
M8 dowel Dowel No: N	Quick dowel Dowel No: T
Expandable dowel Dowel No: K	

### $\Phi$ 35mm Hinge cup types



Use these formulas to determine the type of hinge arm, the drilling distance "K" and the height of the mounting plate "H" for each door application.



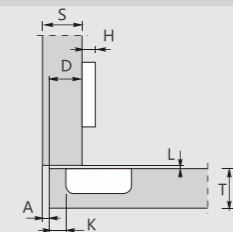
Nickel plated(A02)

### C98 series snap-on hinge 165° (two way, cam-adjustable)

#### Full overlay 0



$$H=14+K-(D)$$



Sprung

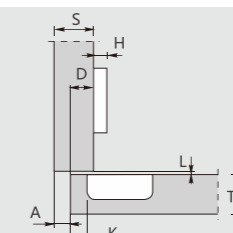
Item No. **C98A606**

Pcs/ctn 100

#### Half overlay 10



$$H=4+K-(D)$$



Sprung

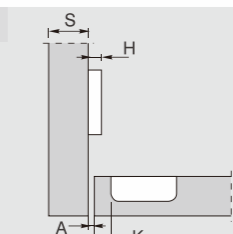
Item No. **C98B606**

Pcs/ctn 100

#### Inset 14



$$H=0 +K +(A)$$



Sprung

Item No. **C98C606**

Pcs/ctn 100

Nexus Enterprises

# STANDARD HINGES

## C98 Series $\Phi$ 40mm Hinges for Thick Door



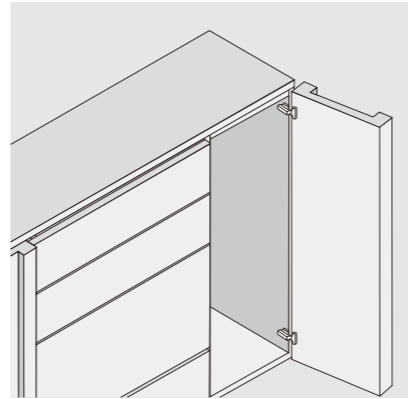
### PRODUCT



### DESCRIPTION

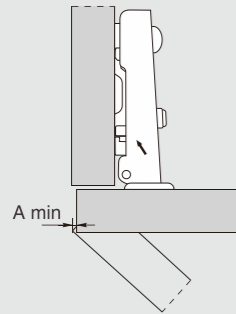
- Opening angle: 95°
- Depth of hinge cup: 12.1mm
- Diameter of hinge cup: 40mm
- Range of door thickness: 20-40mm
- Possible drilling distances on the door(K): 3-15mm

### APPLICATION



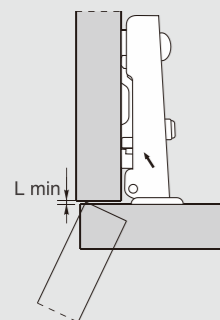
### PLANNING

#### Space needed to open the door



	T=	20	21	22	23	24	25	26	27	28	29	30	31	32	33 - 40
K=3	A=	0.6	0.7	0.9	1.0	1.2	1.4	1.7	1.9	2.7	3.6	4.6	5.5	6.5	7.4 - 14.3
K=4	A=	0.6	0.7	0.8	1.0	1.2	1.4	1.6	1.9	2.1	3.0	3.9	4.8	5.8	6.7 - 13.5
K=5	A=	0.5	0.7	0.8	1.0	1.2	1.4	1.6	1.8	2.1	2.4	3.3	4.2	5.1	6.1 - 12.7
K=6	A=	0.5	0.7	0.8	1.0	1.2	1.4	1.6	1.8	2.1	2.3	2.8	3.6	4.5	5.5 - 12.0
K=7	A=	0.5	0.7	0.8	1.0	1.2	1.3	1.6	1.8	2.0	2.3	2.6	3.1	4.0	4.9 - 11.3
K=8	A=	0.5	0.7	0.8	1.0	1.1	1.3	1.5	1.8	2.0	2.3	2.5	2.9	3.5	4.4 - 10.7
		-	-	-	-	-	-	-	-	-	-	-	-	-	- -
K=15	A=	0.5	0.6	0.7	0.9	1.0	1.2	1.4	1.6	1.8	2.0	2.3	2.5	2.8	3.1 - 7.1

#### Space needed to open the door

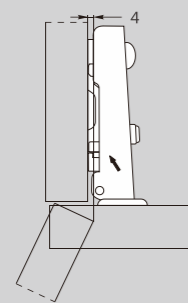


	T=	20	21	22	23	24	25	26	27	28	29	30	31	32	33 - 40
K=3-9	L=	0.0	0.0	0.0	0.0	0.0	0.0	0.0	0.0	0.0	0.0	0.0	0.0	0.0	0.0 - 0.0
K=10	L=	0.0	0.0	0.0	0.0	0.0	0.0	0.0	0.0	0.0	0.0	0.0	0.0	0.0	0.0 - 0.5
K=11	L=	0.1	0.2	0.3	0.3	0.4	0.5	0.5	0.6	0.7	0.8	0.8	0.9	1.0	1.0 - 1.5
K=12	L=	1.1	1.2	1.3	1.3	1.4	1.5	1.5	1.6	1.7	1.8	1.8	1.9	2.0	2.0 - 2.5
K=13	L=	2.1	2.2	2.3	2.3	2.4	2.5	2.5	2.6	2.7	2.8	2.8	2.9	3.0	3.0 - 3.5
K=14	L=	3.1	3.2	3.3	3.3	3.4	3.5	3.5	3.6	3.7	3.7	3.8	3.9	4.0	4.0 - 4.5
K=15	L=	4.1	4.2	4.3	4.3	4.4	4.5	4.5	4.6	4.7	4.7	4.8	4.9	5.0	5.0 - 5.5

- The above values are calculated on the assumption that the doors have square edges.
- They are reduced if the doors have raddused edges.

#### Projection of the door

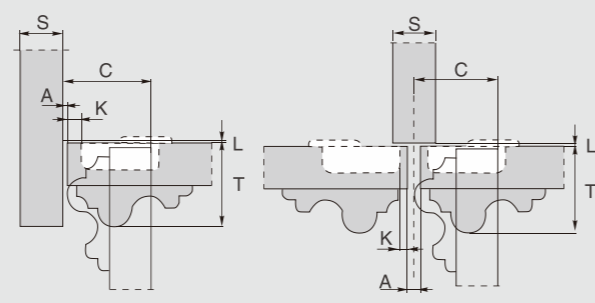
Projection of the door from the cabinet side at the max. opening. The figures are based on a straight arm hinge, H=0mm mounting plate and drilling distance (K) =3mm.



#### "C" value

$$C=24+K+A$$

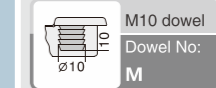
With this formula you can obtain the max. thickness of the moulded door that can be opened without touching adjacent carcass sides, doors or walls, whilst bearing in mind the above L-K-T values.



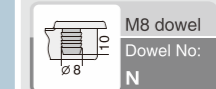
### ORDER INFORMATION



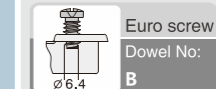
#### $\Phi$ 40mm Options of screws and dowels:



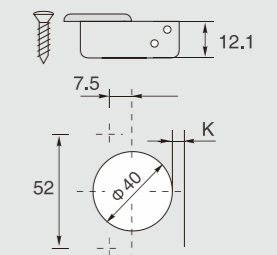
M10 dowel  
Dowel No:  
**M**



M8 dowel  
Dowel No:  
**N**



Euro screw  
Dowel No:  
**B**



Use these formulas to determine the type of hinge arm, the drilling distance "K" and the height of the mounting plate "H" for each door application.

Nickel plated(A02)

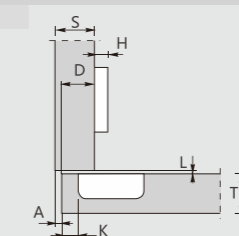
Nexus Enterprises

#### C98 series $\Phi$ 40mm snap-on hinge 95° (two way, cam-adjustable)

##### Full overlay C=0



##### H=20+K-(D)



Sprung

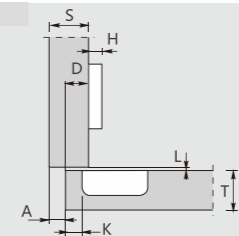
Item No. **D98A697**

Pcs/ctn 200

##### Half overlay C=9



##### H=11+K-(D)



Sprung

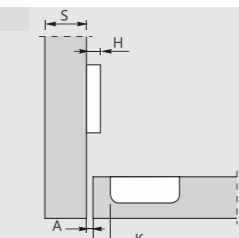
Item No. **D98B697**

Pcs/ctn 200

##### Inset C=22.5



##### H=-2.5 +K +(A)



Sprung

Item No. **D98C697**

Pcs/ctn 200

# STANDARD HINGES

## C98 Series $\Phi$ 35mm Hinges



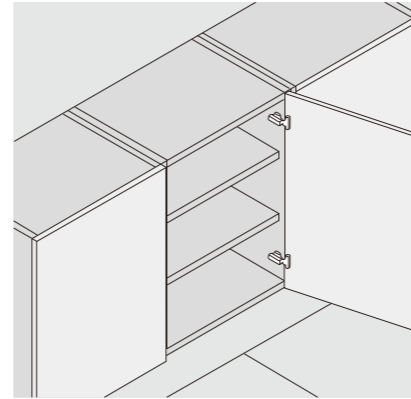
### PRODUCT



### DESCRIPTION

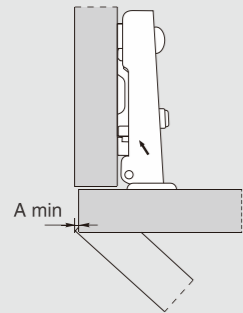
- Opening angle: 110°
- Depth of hinge cup: 11.3mm
- Diameter of hinge cup: 35mm
- Range of door thickness: 14-24mm
- Possible drilling distances on the door(K): 3-7mm

### APPLICATION



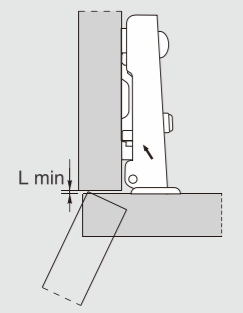
### PLANNING

#### Space needed to open the door



	T=	14	15	16	17	18	19	20	21	22	23	24
K=3	A=	0.2	0.4	0.6	0.8	1.1	1.5	2.0	2.7	3.5	4.3	5.1
K=4	A=	0.2	0.4	0.6	0.8	1.1	1.4	1.9	2.4	3.1	3.9	4.7
K=5	A=	0.2	0.3	0.5	0.8	1.0	1.4	1.8	2.3	2.9	3.5	4.3
K=6	A=	0.2	0.3	0.5	0.7	1.0	1.3	1.7	2.1	2.6	3.3	4.0
K=7	A=	0.2	0.3	0.5	0.7	0.9	1.2	1.6	2.0	2.5	3.0	3.7

#### Space needed to open the door

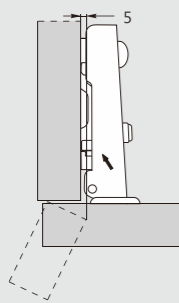


	T=	14	15	16	17	18	19	20	21	22	23	24
K=3	L=	0.0	0.0	0.0	0.1	0.3	0.5	0.7	0.8	1.0	1.2	1.4
K=4	L=	0.6	0.8	1.0	1.1	1.3	1.5	1.7	1.8	2.0	2.2	2.3
K=5	L=	1.6	1.8	1.9	2.1	2.3	2.5	2.6	2.8	3.0	3.2	3.3
K=6	L=	2.6	2.8	2.9	3.1	3.3	3.4	3.6	3.8	4.0	4.1	4.3
K=7	L=	3.6	3.7	3.9	4.1	4.3	4.4	4.6	4.8	5.0	5.1	5.3

- The above values are calculated on the assumption that the doors have square edges.
- They are reduced if the doors have radiused edges.

#### Projection of the door

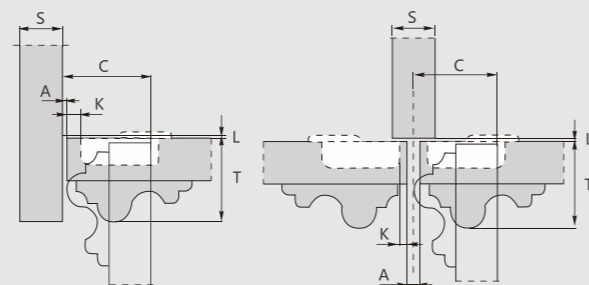
Projection of the door from the cabinet side at the max. opening. The figures are based on a straight arm hinge, H=0mm mounting plate and drilling distance (K) =3mm.



#### "C" value

$$C=17.5+K+A$$

With this formula you can obtain the max. thickness of the moulded door that can be opened without touching adjacent carcass sides, doors or walls, whilst bearing in mind the above L-K-T values.



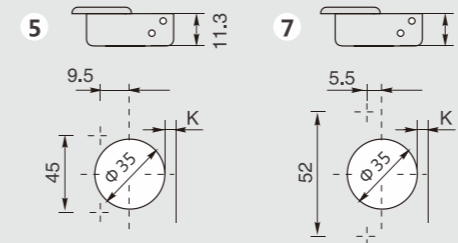
### ORDER INFORMATION



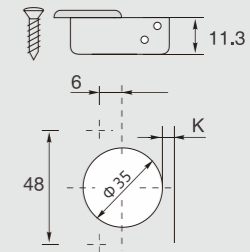
#### $\Phi$ 35mm Options of screws and dowels:

M10 dowel Dowel No: M	Expandable dowel Dowel No: K
M8 dowel Dowel No: N	Expandable dowel Dowel No: K0
Euro screw Dowel No: B	Quick dowel Dowel No: T0

#### $\Phi$ 35mm Hinge cup types



Use these formulas to determine the type of hinge arm, the drilling distance "K" and the height of the mounting plate "H" for each door application.



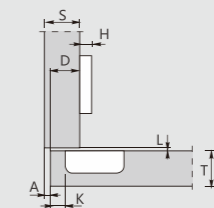
Nickel plated((A02)

#### C98 series snap-on hinge 110° (two way)

##### Full overlay C=0



$$H=14+K-(D)$$



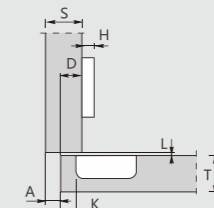
Sprung

Item No. **C98A476**  
Pcs/ctn 200

##### Half overlay C=9



$$H=5+K-(D)$$



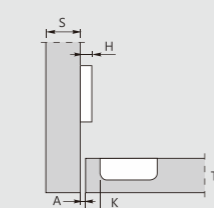
Sprung

Item No. **C98B476**  
Pcs/ctn 200

##### Inset C=18



$$H=-4+K+(A)$$



Sprung

Item No. **C98C476**  
Pcs/ctn 200

# STANDARD HINGES

C98 Series  $\Phi$  35mm Glass Hinges



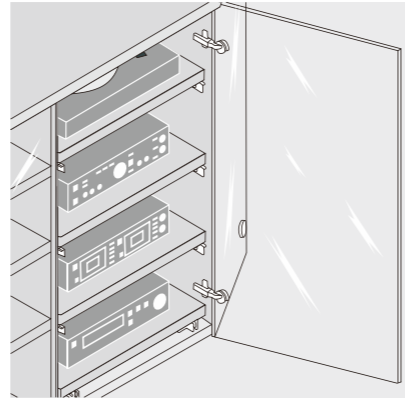
## PRODUCT



## DESCRIPTION

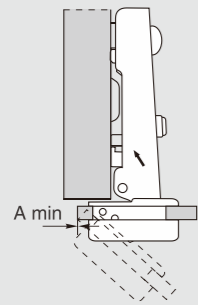
- Opening angle: 110°
- Depth of hinge cup: 11mm
- Diameter of hinge cup: 35mm
- Available glass door thickness: 4-6mm
- Possible drilling distances on the glass door(K): 4-7mm

## APPLICATION



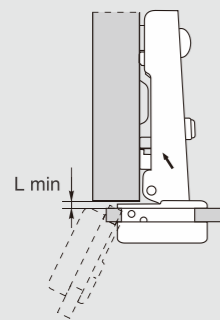
## PLANNING

### Space needed to open the door



	T=	14	15	16	17	18	19	20	21	22	23	24
K=4	A=	0.2	0.4	0.6	0.8	1.1	1.4	1.9	2.4	3.1	3.9	4.7
K=5	A=	0.2	0.3	0.5	0.8	1.0	1.4	1.8	2.3	2.9	3.5	4.3
K=6	A=	0.2	0.3	0.5	0.7	1.0	1.3	1.7	2.1	2.6	3.3	4.0
K=7	A=	0.2	0.3	0.5	0.7	0.9	1.2	1.6	2.0	2.5	3.0	3.7

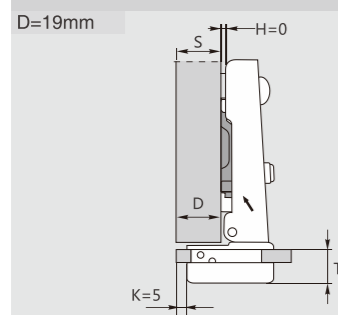
### Space needed to open the door



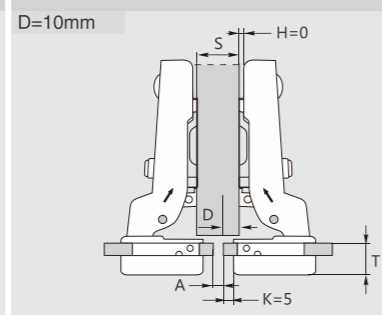
	T=	14	15	16	17	18	19	20	21	22	23	24
K=4	L=	0.6	0.8	1.0	1.1	1.3	1.5	1.7	1.8	2.0	2.2	2.3
K=5	L=	1.6	1.8	1.9	2.1	2.3	2.5	2.6	2.8	3.0	3.2	3.3
K=6	L=	2.6	2.8	2.9	3.1	3.3	3.4	3.6	3.8	4.0	4.1	4.3
K=7	L=	3.6	3.7	3.9	4.1	4.3	4.4	4.6	4.8	5.0	5.1	5.3

- The above values are calculated on the assumption that the doors have square edges.
- They are reduced if the doors have radiussed edges.

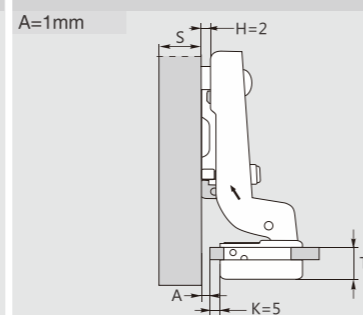
### C=0 Application with full overlay door



### C=9 Application with half overlay door



### C=18 Application with inset door



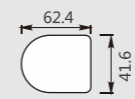
## ORDER INFORMATION



### Available finishes for $\Phi$ 35mm covers

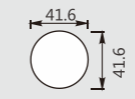
Chrome:	C01
Dark Chrome:	C02
Bright Silver:	C03
Silver:	C04
Satin Gold:	C05
Satin Silver:	C06
Satin Chrome:	C07
Bright Gold:	C08
Silver Grey:	C09

### Options of $\Phi$ 35mm covers:



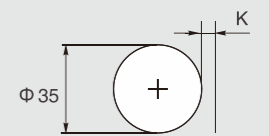
#### ABS oval cover

Item No.	A2B
Pcs/ctn	200



#### ABS round cover

Item No.	A2C
Pcs/ctn	200



Nickel plated(A02)

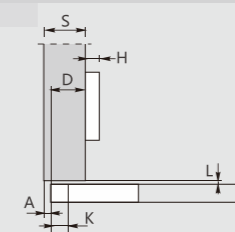
Nexus Enterprises

### C98 series snap-on glass hinge 110° (two way)

#### Full overlay C=0



$$H=14+K-(D)$$



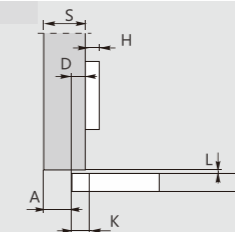
#### Sprung

Item No.	C98A470
Pcs/ctn	200

#### Half overlay C=9



$$H=5+K-(D)$$



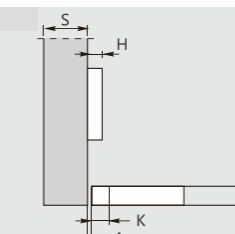
#### Sprung

Item No.	C98B470
Pcs/ctn	200

#### Inset C=18



$$H=-6+K+(A)$$



#### Sprung

Item No.	C98C470
Pcs/ctn	200

# STANDARD HINGES

C98 Series  $\Phi$  35mm Aluminium Frame Hinges



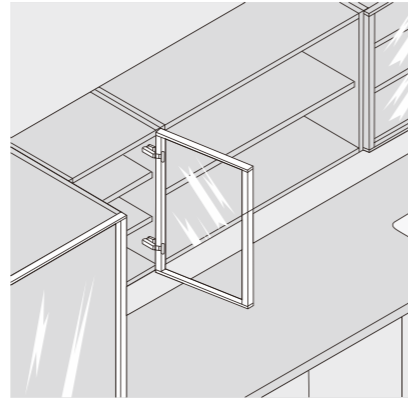
## PRODUCT



## DESCRIPTION

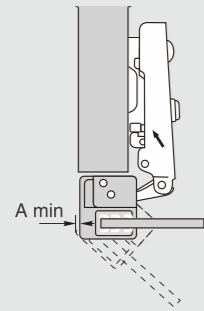
- Opening angle: 110°
- Drilling dimension on aluminium frame hinge head: 28mm
- Range of width of aluminium frame(V) : 19-23mm

## APPLICATION



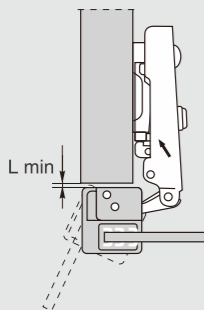
## PLANNING

### Space needed to open the door



	T=	14	15	16	17	18	19	20	21	22	23	24
K=19	A=	0.2	0.4	0.6	0.8	1.1	1.5	2.0	2.7	3.5	4.3	5.1
K=20	A=	0.2	0.4	0.6	0.8	1.1	1.4	1.9	2.4	3.1	3.9	4.7
K=21	A=	0.2	0.3	0.5	0.8	1.0	1.4	1.8	2.3	2.9	3.5	4.3
K=22	A=	0.2	0.3	0.5	0.7	1.0	1.3	1.7	2.1	2.6	3.3	4.0
K=23	A=	0.2	0.3	0.5	0.7	0.9	1.2	1.6	2.0	2.5	3.0	3.7

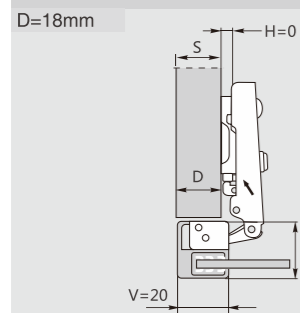
### Space needed to open the door



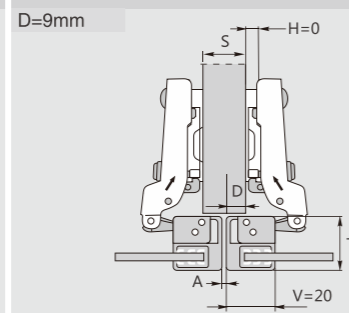
	T=	14	15	16	17	18	19	20	21	22	23	24
V=19	L=	0.0	0.0	0.0	0.1	0.3	0.5	0.7	0.8	1.0	1.2	1.4
V=20	L=	0.6	0.8	1.0	1.1	1.3	1.5	1.7	1.8	2.0	2.2	2.3
V=21	L=	1.6	1.8	1.9	2.1	2.3	2.5	2.6	2.8	3.0	3.2	3.3
V=22	L=	2.6	2.8	2.9	3.1	3.3	3.4	3.6	3.8	4.0	4.1	4.3
V=23	L=	3.6	3.7	3.9	4.1	4.3	4.4	4.6	4.8	5.0	5.1	5.3

- The above values are calculated on the assumption that the doors have square edges.
- They are reduced if the doors have radiussed edges.

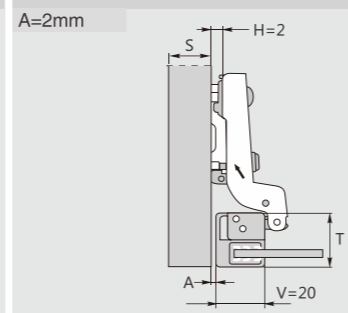
### C=0 Application with full overlay door



### C=9 Application with half overlay door



### C=18 Application with inset door

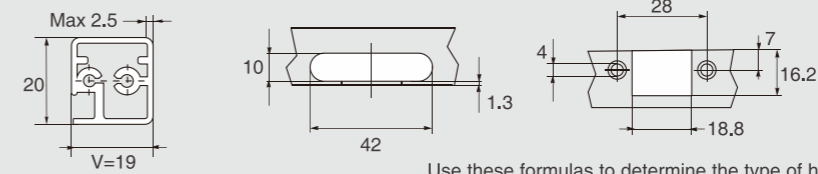


## ORDER INFORMATION



### Drilling dimensions on aluminium frame

V:19mm-22mm



Use these formulas to determine the type of hinge arm, the drilling distance "K" and the height of the mounting plate "H" for each door application.

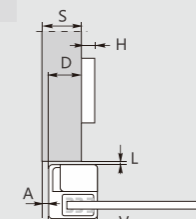
Nickel plated(A02)

### C98 series snap-on al frame hinge 110° (two way)

Full overlay C=0



$H=-2 +V -(D)$



Sprung

Item No.

C98A430

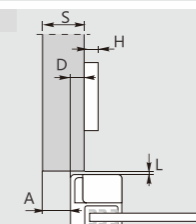
Pcs/ctn

200

Half overlay C=9



$H=-11 +V -(D)$



Sprung

Item No.

C98B430

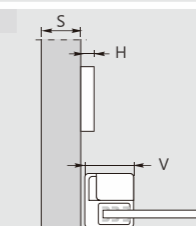
Pcs/ctn

200

Inset C=18



$H=-20 +V +(A)$



Sprung

Item No.

C98C430

Pcs/ctn

200

Nexus Enterprises

# STANDARD HINGES

C98 Series  $\Phi$  35mm Angled Hinges



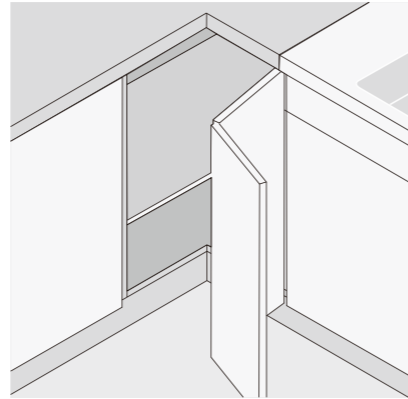
## PRODUCT



## DESCRIPTION

- Depth of hinge cup: 11.3mm
- Diameter of hinge cup: 35mm
- Range of door thickness: 14-24mm
- Possible drilling distances on the door(K): 3-7mm

## APPLICATION



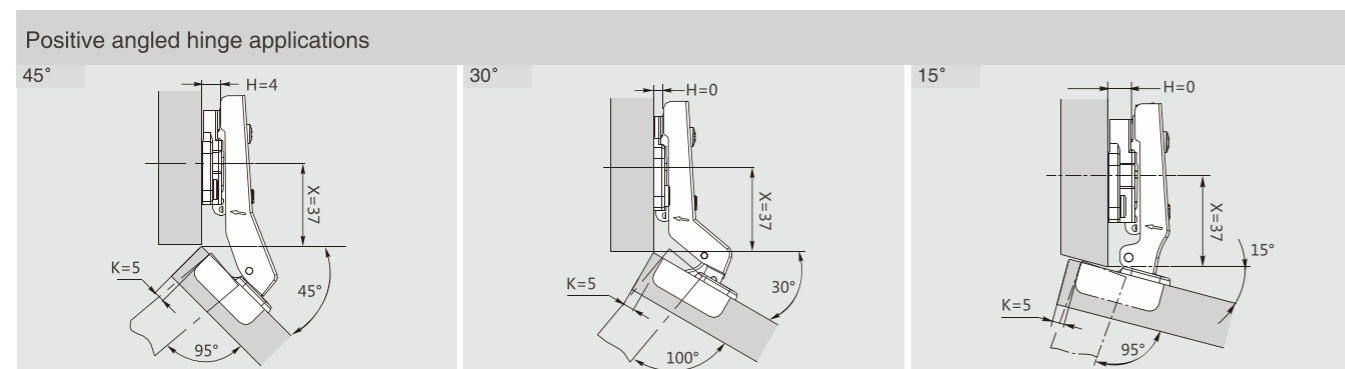
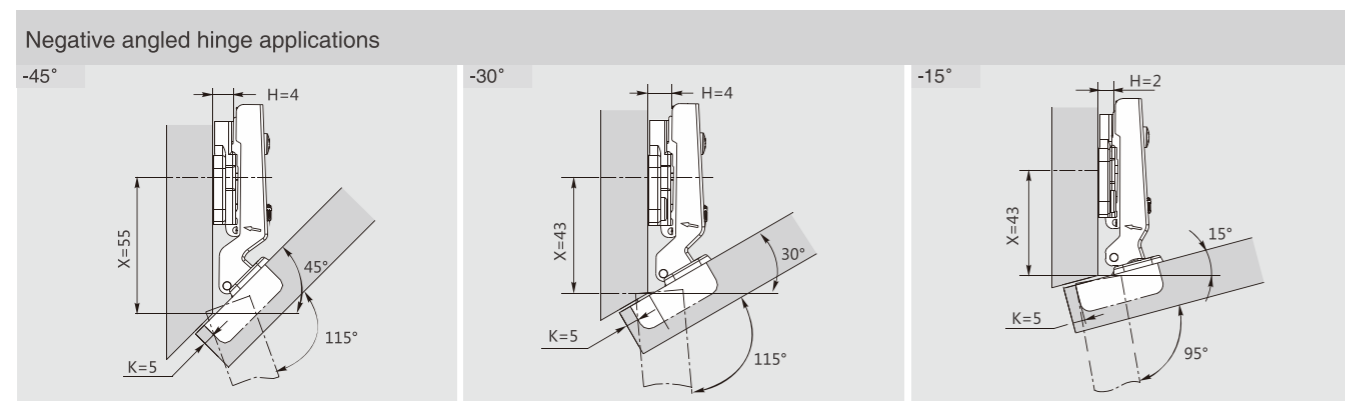
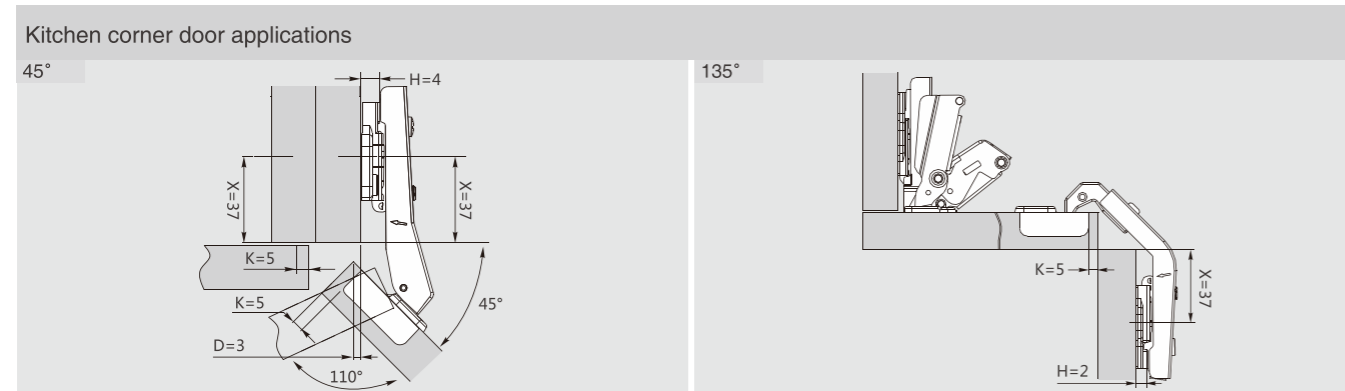
## ORDER INFORMATION



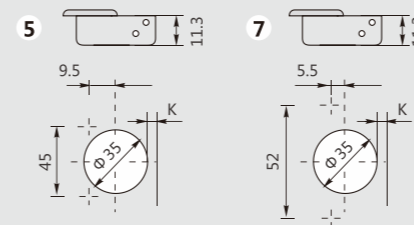
### $\Phi$ 35mm Options of screws and dowels:

M10 dowel Dowel No: M	Expandable dowel Dowel No: K
M8 dowel Dowel No: N	Expandable dowel Dowel No: K0
Euro screw Dowel No: B	Quick dowel Dowel No: T0

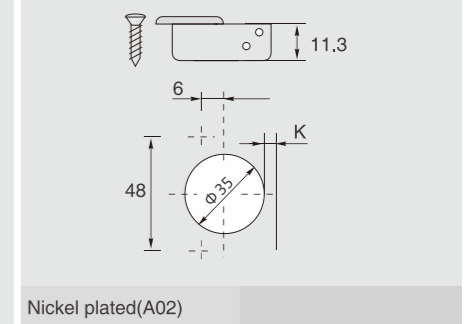
### $\Phi$ 35MM CORNER DOOR, BI-FOLD DOOR, -45°~45° ANGLED HINGE APPLICATIONS



### $\Phi$ 35mm Hinge cup types



The solution of assembly problems where doors are mounted at a positive or negative angle requires the verification of drilling distances by a practical trial. Please do not hesitate to consult our technical support department for assistance.



### C98 series snap-on angled hinge(two way)

Adjustment range of D -2.5 --- +2.0	Adjustment range of D -3.0 --- +2.0	Adjustment range of D -3.0 --- +2.0
Adjustment range of L -2.0 --- +2.0	Adjustment range of L -2.0 --- +2.0	Adjustment range of L -2.0 --- +2.0
Sprung	Sprung	Sprung
Item No. C98J476	Item No. C98G476	Item No. C98S476
Pcs/ctn 200	Pcs/ctn 200	Pcs/ctn 200

Nexus Enterprises

# STANDARD HINGES

C98 Series  $\Phi$  35mm Angled Hinges



## ORDER INFORMATION

**$\Phi$  35mm Options of screws and dowels:**

M10 dowel Dowel No: <b>M</b>	Expandable dowel Dowel No: <b>K</b>
M8 dowel Dowel No: <b>N</b>	Expandable dowel Dowel No: <b>K0</b>
Euro screw Dowel No: <b>B</b>	Quick dowel Dowel No: <b>T0</b>

**$\Phi$  35mm Hinge cup types**

The solution of assembly problems where doors are mounted at a positive or negative angle requires the verification of drilling distances by a practical trial. Please do not hesitate to consult our technical support department for assistance.

Nickel plated(A02)

**C98 series snap-on angled hinge(two way)**

<p>135°</p> <p>Adjustment range of door A -2.0 --- +2.0</p> <p>Item No. <b>C98H476</b></p> <p>Pcs/ctn 200</p>	<p>Full Overlay 15°</p> <p>Adjustment range of D +2.5 --- -4.5</p> <p>Item No. <b>C98Q416</b></p> <p>Pcs/ctn 200</p>	<p>Small Overlay 45°</p> <p>Adjustment range of L -3.0 --- +3.0</p> <p>Item No. <b>C98E416</b></p> <p>Pcs/ctn 200</p>
---	--	---

## ORDER INFORMATION

**$\Phi$  35mm Options of screws and dowels:**

M10 dowel Dowel No: <b>M</b>	Expandable dowel Dowel No: <b>K</b>
M8 dowel Dowel No: <b>N</b>	Expandable dowel Dowel No: <b>K0</b>
Euro screw Dowel No: <b>B</b>	Quick dowel Dowel No: <b>T0</b>

**$\Phi$  35mm Hinge cup types**

The solution of assembly problems where doors are mounted at a positive or negative angle requires the verification of drilling distances by a practical trial. Please do not hesitate to consult our technical support department for assistance.

Nickel plated(A02)

**C98 series snap-on angled hinge(two way)**

<p>Small Overlay 30°</p> <p>Adjustment range of L -0.6 --- +3.4</p> <p>Item No. <b>C98F4A6</b></p> <p>Pcs/ctn 200</p>	<p>Overlay 30°</p> <p>Adjustment range of D +2.0 --- -2.0</p> <p>Item No. <b>C98W416</b></p> <p>Pcs/ctn 200</p>	<p>Full Overlay 30°</p> <p>Adjustment range of D1 +1.5 --- -4.5</p> <p>Item No. <b>C98N416</b></p> <p>Pcs/ctn 200</p>
---	---	---

Nexus Enterprises

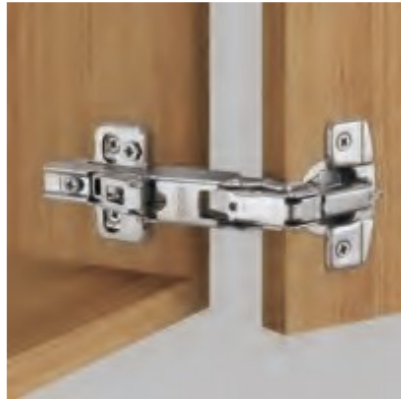


# STANDARD HINGES

C98 Series  $\Phi$  35mm 165° Hinges



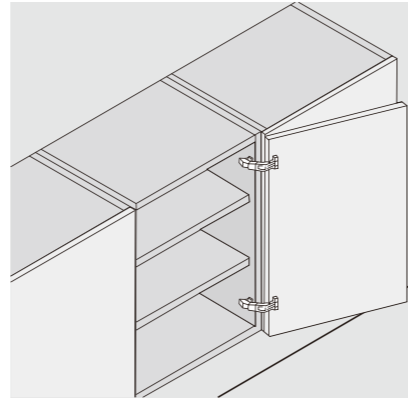
## PRODUCT



## DESCRIPTION

- Opening angle: 165°
- Depth of hinge cup: 11.3mm
- Diameter of hinge cup: 35mm
- Range of door thickness: 14-26mm
- Possible drilling distances on the door(K): 3-8mm

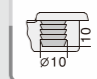
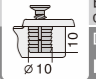
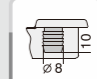
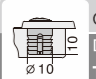

## APPLICATION



## ORDER INFORMATION

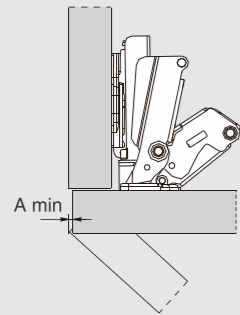


### $\Phi$ 35mm Options of screws and dowels:

 M10 dowel Dowel No: <b>M</b>	 Expandable dowel Dowel No: <b>K0</b>
 M8 dowel Dowel No: <b>N</b>	 Quick dowel Dowel No: <b>T0</b>
 Expandable dowel Dowel No: <b>K</b>	

## PLANNING

### Space needed to open the door

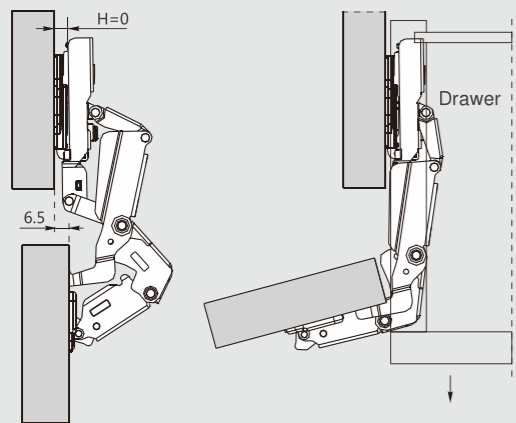


	T=	14	15	16	17	18	19	20	21	22	23	24	25	26
K=3	A=	0	0	0	0	0	0	0	0	0	0.2	0.6	1.1	4.4
K=4	A=	0	0	0	0	0	0	0	0	0	0.3	0.7	2.4	3.6
K=5	A=	0	0	0	0	0	0	0	0	0	0.3	0.9	2.0	2.9
K=6	A=	0	0	0	0	0	0	0	0	0	0.3	0.8	1.5	2.3
K=7	A=	0	0	0	0	0	0	0	0	0	0.2	0.6	1.2	1.9
K=8	A=	0	0	0	0	0	0	0	0	0	0.2	0.5	1.0	1.6

- The above values are calculated on the assumption that the doors have square edges.
- They are reduced if the doors have radiussed edges.

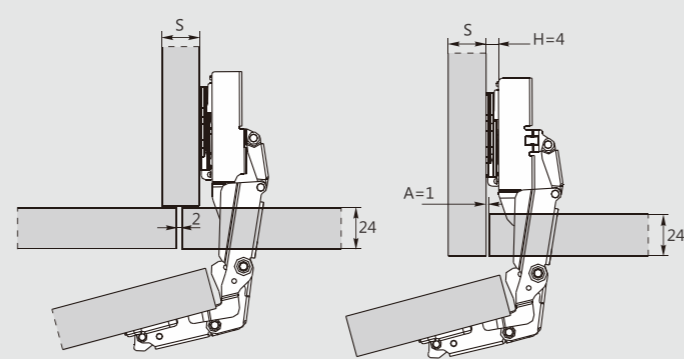
### Application

Below shows a straight arm hinge combined with a H=0mm mounting plate at its 90° opening angle and max. opening angle.



Full overlay C=0

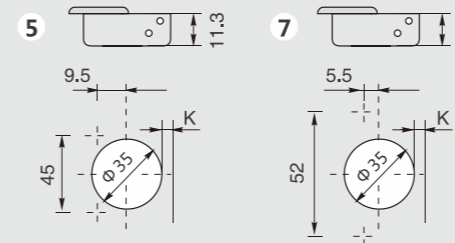
No gap is required when door thickness is less than 22mm. A trial assembly is recommended when door thickness is more than 22mm.



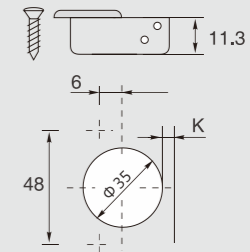
Half overlay C=10

Inset C=14

### $\Phi$ 35mm Hinge cup types



Use these formulas to determine the type of hinge arm, the drilling distance "K" and the height of the mounting plate "H" for each door application.



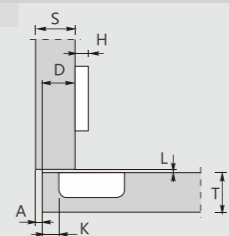
Nickel plated((A02)

### C98 series snap-on hinge 165° (two way)

Full overlay C=0



H=14+K-(D)



Sprung

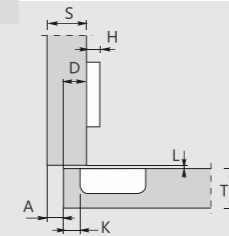
Item No. **C98A506**

Pcs/ctn 100

Half overlay C=10



H=4+K-(D)



Sprung

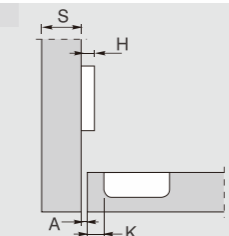
Item No. **C98B506**

Pcs/ctn 100

Inset C=14



H=0 +K +(A)



Sprung

Item No. **C98C506**

Pcs/ctn 100

# STANDARD HINGES

C98 Series  $\Phi$  40mm Hinges for Thick Door



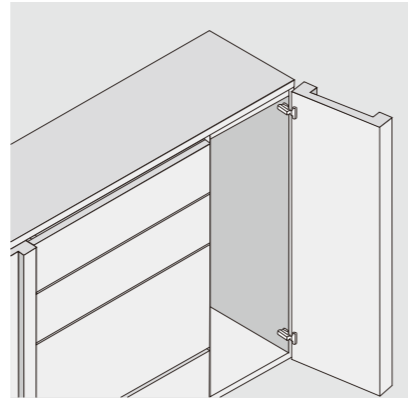
## PRODUCT



## DESCRIPTION

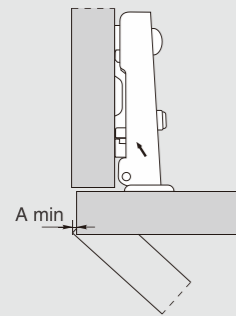
- Opening angle: 95°
- Depth of hinge cup: 12.1mm
- Diameter of hinge cup: 40mm
- Range of door thickness: 20-40mm
- Possible drilling distances on the door(K): 3-15mm

## APPLICATION



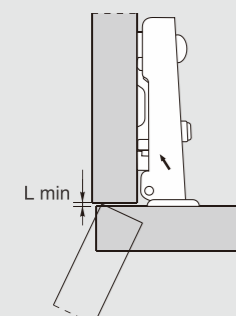
## PLANNING

### Space needed to open the door



	T=	20	21	22	23	24	25	26	27	28	29	30	31	32	33 - 40
K=3	A=	0.6	0.7	0.9	1.0	1.2	1.4	1.7	1.9	2.7	3.6	4.6	5.5	6.5	7.4 - 14.3
K=4	A=	0.6	0.7	0.8	1.0	1.2	1.4	1.6	1.9	2.1	3.0	3.9	4.8	5.8	6.7 - 13.5
K=5	A=	0.5	0.7	0.8	1.0	1.2	1.4	1.6	1.8	2.1	2.4	3.3	4.2	5.1	6.1 - 12.7
K=6	A=	0.5	0.7	0.8	1.0	1.2	1.4	1.6	1.8	2.1	2.3	2.8	3.6	4.5	5.5 - 12.0
K=7	A=	0.5	0.7	0.8	1.0	1.2	1.3	1.6	1.8	2.0	2.3	2.6	3.1	4.0	4.9 - 11.3
K=8	A=	0.5	0.7	0.8	1.0	1.1	1.3	1.5	1.8	2.0	2.3	2.5	2.9	3.5	4.4 - 10.7
		-	-	-	-	-	-	-	-	-	-	-	-	-	- -
K=15	A=	0.5	0.6	0.7	0.9	1.0	1.2	1.4	1.6	1.8	2.0	2.3	2.5	2.8	3.1 - 7.1

### Space needed to open the door

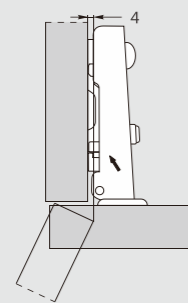


	T=	20	21	22	23	24	25	26	27	28	29	30	31	32	33 - 40
K=3-9	L=	0.0	0.0	0.0	0.0	0.0	0.0	0.0	0.0	0.0	0.0	0.0	0.0	0.0	0.0 - 0.0
K=10	L=	0.0	0.0	0.0	0.0	0.0	0.0	0.0	0.0	0.0	0.0	0.0	0.0	0.0	0.0 - 0.5
K=11	L=	0.1	0.2	0.3	0.3	0.4	0.5	0.5	0.6	0.7	0.8	0.8	0.9	1.0	1.0 - 1.5
K=12	L=	1.1	1.2	1.3	1.3	1.4	1.5	1.5	1.6	1.7	1.8	1.8	1.9	2.0	2.0 - 2.5
K=13	L=	2.1	2.2	2.3	2.3	2.4	2.5	2.5	2.6	2.7	2.8	2.8	2.9	3.0	3.0 - 3.5
K=14	L=	3.1	3.2	3.3	3.3	3.4	3.5	3.5	3.6	3.7	3.7	3.8	3.9	4.0	4.0 - 4.5
K=15	L=	4.1	4.2	4.3	4.3	4.4	4.5	4.5	4.6	4.7	4.7	4.8	4.9	5.0	5.0 - 5.5

- The above values are calculated on the assumption that the doors have square edges.
- They are reduced if the doors have raddused edges.

### Projection of the door

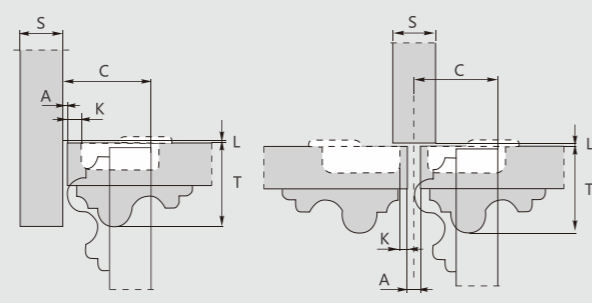
Projection of the door from the cabinet side at the max. opening. The figures are based on a straight arm hinge, H=0mm mounting plate and drilling distance (K) =3mm.



### "C" value

$$C=24+K+A$$

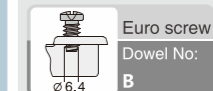
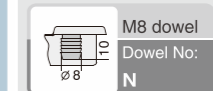
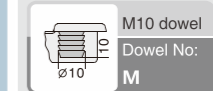
With this formula you can obtain the max. thickness of the moulded door that can be opened without touching adjacent carcass sides, doors or walls, whilst bearing in mind the above L-K-T values.



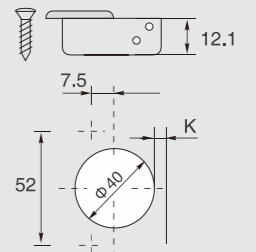
## ORDER INFORMATION



### $\Phi$ 40mm Options of screws and dowels:



Use these formulas to determine the type of hinge arm, the drilling distance "K" and the height of the mounting plate "H" for each door application.



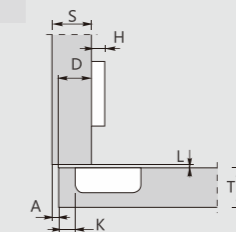
Nickel plated(A02)

### C98 series $\Phi$ 40mm snap-on hinge 95° (two way)

#### Full overlay C=0



#### H=20+K-(D)



Sprung

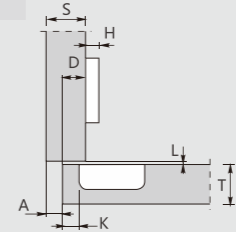
Item No. D98A497

Pcs/ctn 200

#### Half overlay C=9



#### H=11+K-(D)



Sprung

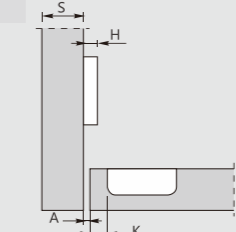
Item No. D98B497

Pcs/ctn 200

#### Inset C=22.5



#### H=-2.5 +K +(A)



Sprung

Item No. D98C497

Pcs/ctn 200

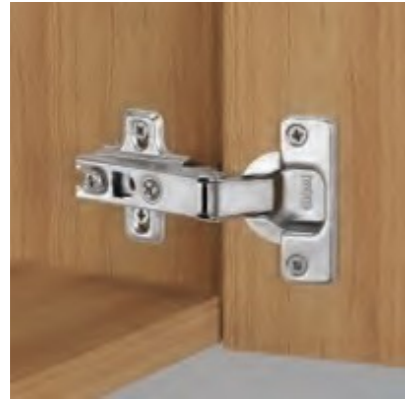
Nexus Enterprises

# STANDARD HINGES

## C98 Series $\Phi$ 35mm Hinges



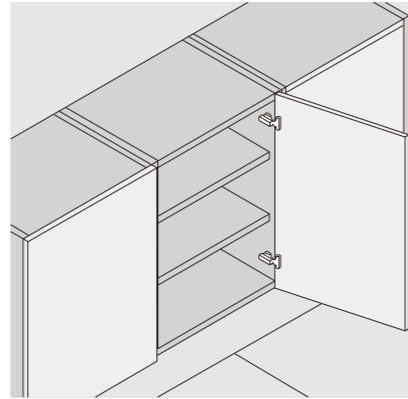
### PRODUCT



### DESCRIPTION

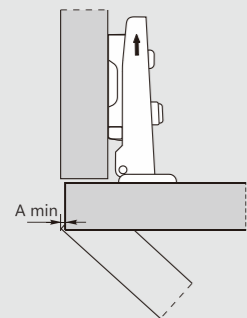
- Opening angle: 110°
- Depth of hinge cup: 11.3mm
- Diameter of hinge cup: 35mm
- Range of door thickness: 14-24mm
- Possible drilling distances on the door(K): 3-7mm

### APPLICATION



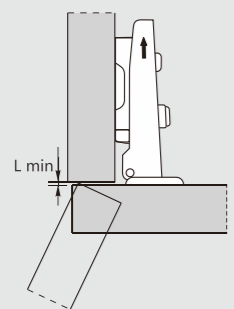
### PLANNING

#### Space needed to open the door



T=	14	15	16	17	18	19	20	21	22	23	24
K=3	A= 0.2	0.4	0.6	0.8	1.1	1.5	2.0	2.7	3.5	4.3	5.1
K=4	A= 0.2	0.4	0.6	0.8	1.1	1.4	1.9	2.4	3.1	3.9	4.7
K=5	A= 0.2	0.3	0.5	0.8	1.0	1.4	1.8	2.3	2.9	3.5	4.3
K=6	A= 0.2	0.3	0.5	0.7	1.0	1.3	1.7	2.1	2.6	3.3	4.0
K=7	A= 0.2	0.3	0.5	0.7	0.9	1.2	1.6	2.0	2.5	3.0	3.7

#### Space needed to open the door

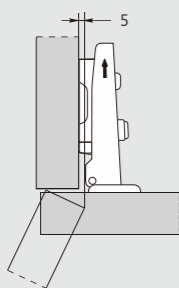


T=	14	15	16	17	18	19	20	21	22	23	24
K=3	L= 0.0	0.0	0.0	0.1	0.3	0.5	0.7	0.8	1.0	1.2	1.4
K=4	L= 0.6	0.8	1.0	1.1	1.3	1.5	1.7	1.8	2.0	2.2	2.3
K=5	L= 1.6	1.8	1.9	2.1	2.3	2.5	2.6	2.8	3.0	3.2	3.3
K=6	L= 2.6	2.8	2.9	3.1	3.3	3.4	3.6	3.8	4.0	4.1	4.3
K=7	L= 3.6	3.7	3.9	4.1	4.3	4.4	4.6	4.8	5.0	5.1	5.3

- The above values are calculated on the assumption that the doors have square edges.
- They are reduced if the doors have radiussed edges.

#### Projection of the door

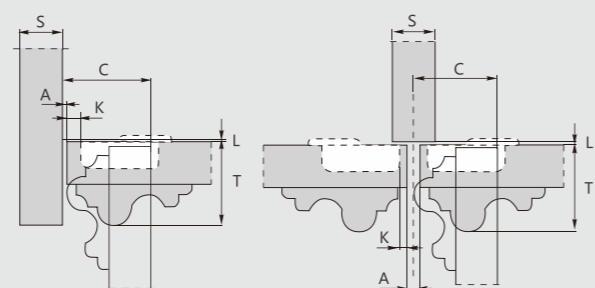
Projection of the door from the cabinet side at the max. opening. The figures are based on a straight arm hinge, H=0mm mounting plate and drilling distance (K) =3mm.



#### "C" value

$$C=17.5+K+A$$

With this formula you can obtain the max. thickness of the moulded door that can be opened without touching adjacent carcass sides, doors or walls, whilst bearing in mind the above L-K-T values.



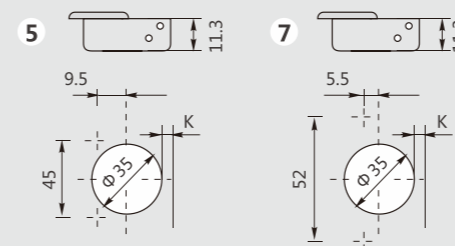
### ORDER INFORMATION



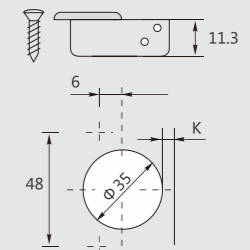
#### $\Phi$ 35mm Options of screws and dowels:

M10 dowel Dowel No: M	Expandable dowel Dowel No: K
M8 dowel Dowel No: N	Expandable dowel Dowel No: K0
Euro screw Dowel No: B	Quick dowel Dowel No: T0

#### $\Phi$ 35mm Hinge cup types



Use these formulas to determine the type of hinge arm, the drilling distance "K" and the height of the mounting plate "H" for each door application.



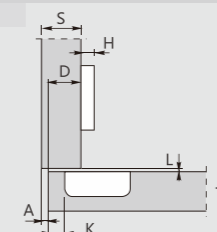
Nickel plated(A02)

#### C98 series slide-on hinge 110° (two way)

##### Full overlay C=0



$$H=14+K-(D)$$

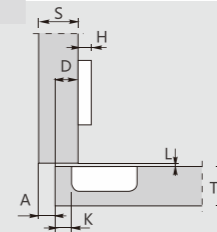


Sprung	
Item No.	C98A276
Pcs/ctn	200

##### Half overlay C=9



$$H=5+K-(D)$$

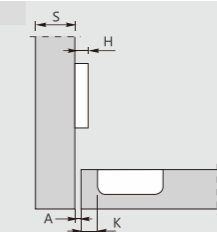


Sprung	
Item No.	C98B276
Pcs/ctn	200

##### Inset C=18



$$H=-4+K+(A)$$



Sprung	
Item No.	C98C276
Pcs/ctn	200

Nexus Enterprises

# STANDARD HINGES

C98 Series  $\Phi$  35mm Glass Hinges



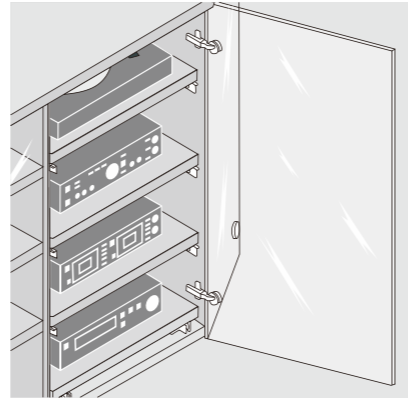
## PRODUCT



## DESCRIPTION

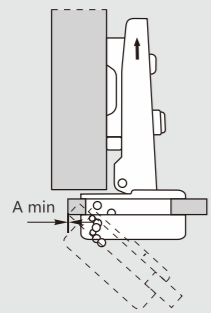
- Opening angle: 110°
- Depth of hinge cup: 11mm
- Diameter of hinge cup: 35mm
- Available glass door thickness: 4-6mm
- Possible drilling distances on the glass door(K): 4-7mm

## APPLICATION



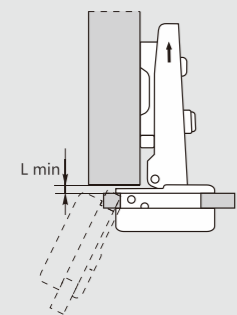
## PLANNING

### Space needed to open the door



	T=	14	15	16	17	18	19	20	21	22	23	24
K=4	A=	0.2	0.4	0.6	0.8	1.1	1.4	1.9	2.4	3.1	3.9	4.7
K=5	A=	0.2	0.3	0.5	0.8	1.0	1.4	1.8	2.3	2.9	3.5	4.3
K=6	A=	0.2	0.3	0.5	0.7	1.0	1.3	1.7	2.1	2.6	3.3	4.0
K=7	A=	0.2	0.3	0.5	0.7	0.9	1.2	1.6	2.0	2.5	3.0	3.7

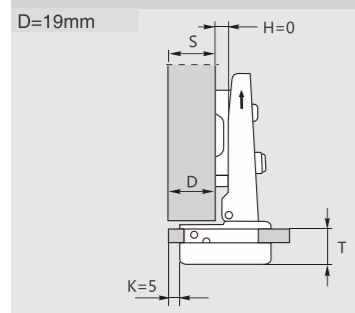
### Space needed to open the door



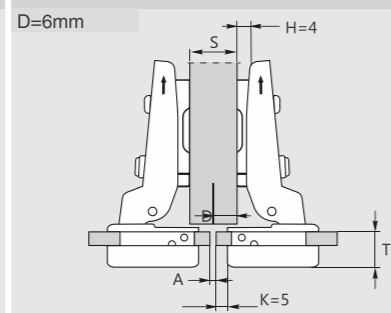
	T=	14	15	16	17	18	19	20	21	22	23	24
K=4	L=	0.6	0.8	1.0	1.1	1.3	1.5	1.7	1.8	2.0	2.2	2.3
K=5	L=	1.6	1.8	1.9	2.1	2.3	2.5	2.6	2.8	3.0	3.2	3.3
K=6	L=	2.6	2.8	2.9	3.1	3.3	3.4	3.6	3.8	4.0	4.1	4.3
K=7	L=	3.6	3.7	3.9	4.1	4.3	4.4	4.6	4.8	5.0	5.1	5.3

- The above values are calculated on the assumption that the doors have square edges.
- They are reduced if the doors have radiussed edges.

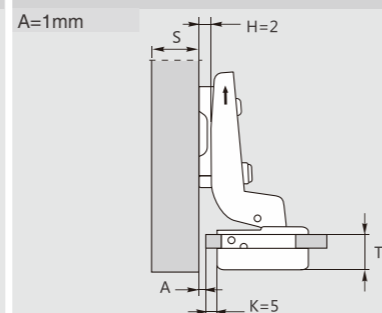
### C=0 Application with full overlay door



### C=9 Application with half overlay door



### C=18 Application with inset door



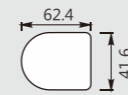
## ORDER INFORMATION



### Available finishes for $\Phi$ 35mm covers

Chrome:	C01
Dark Chrome:	C02
Bright Silver:	C03
Silver:	C04
Satin Gold:	C05
Satin Silver:	C06
Satin Chrome:	C07
Bright Gold:	C08
Silver Grey:	C09

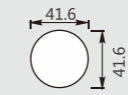
### Options of $\Phi$ 35mm covers:



ABS oval cover

Item No. **A2B**

Pcs/ctn 200

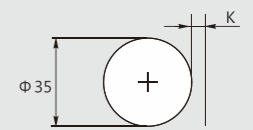


ABS round cover

Item No. **A2C**

Pcs/ctn 200

Nickel plated(A02)



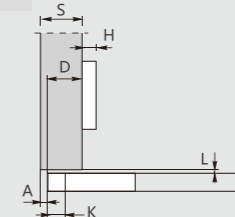
Nexus Enterprises

### C98 series slide-on glass hinge 110° (two way)

#### Full overlay C=0



$$H=14+K-(D)$$



Sprung

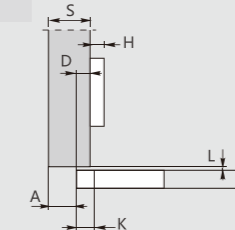
Item No. **C98A270**

Pcs/ctn 200

#### Half overlay C=9



$$H=5+K-(D)$$



Sprung

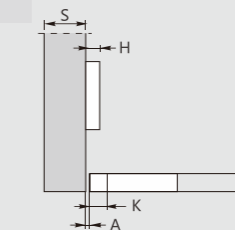
Item No. **C98B270**

Pcs/ctn 200

#### Inset C=18



$$H=-4+K+(A)$$



Sprung

Item No. **C98C270**

Pcs/ctn 200

# STANDARD HINGES

C98 Series  $\Phi$  35mm Aluminium Frame Hinges



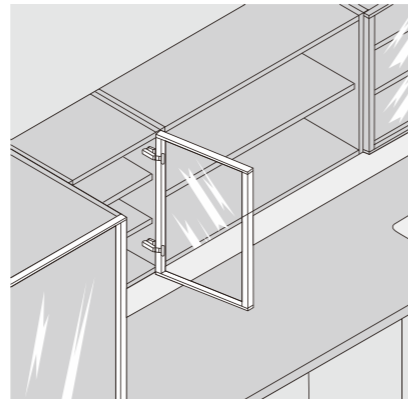
## PRODUCT



## DESCRIPTION

- Opening angle: 110°
- Drilling dimension on aluminium frame hinge head : 28mm
- Range of width of aluminium frame (V): 19-23mm

## APPLICATION

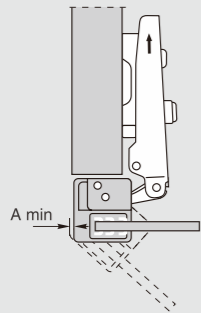


## ORDER INFORMATION



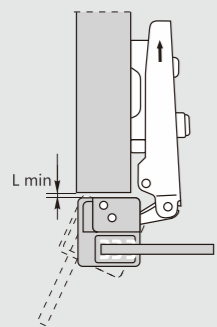
## PLANNING

### Space needed to open the door



	T=	14	15	16	17	18	19	20	21	22	23	24
K=19	A=	0.2	0.4	0.6	0.8	1.1	1.5	2.0	2.7	3.5	4.3	5.1
K=20	A=	0.2	0.4	0.6	0.8	1.1	1.4	1.9	2.4	3.1	3.9	4.7
K=21	A=	0.2	0.3	0.5	0.8	1.0	1.4	1.8	2.3	2.9	3.5	4.3
K=22	A=	0.2	0.3	0.5	0.7	1.0	1.3	1.7	2.1	2.6	3.3	4.0
K=23	A=	0.2	0.3	0.5	0.7	0.9	1.2	1.6	2.0	2.5	3.0	3.7

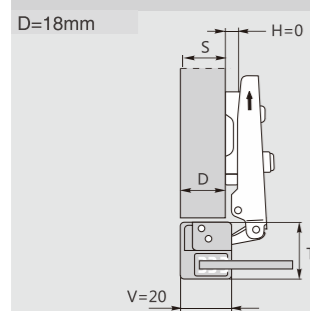
### Space needed to open the door



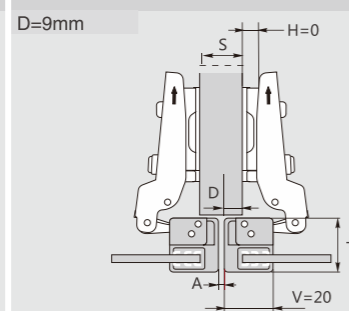
	T=	14	15	16	17	18	19	20	21	22	23	24
V=19	L=	0.0	0.0	0.0	0.1	0.3	0.5	0.7	0.8	1.0	1.2	1.4
V=20	L=	0.6	0.8	1.0	1.1	1.3	1.5	1.7	1.8	2.0	2.2	2.3
V=21	L=	1.6	1.8	1.9	2.1	2.3	2.5	2.6	2.8	3.0	3.2	3.3
V=22	L=	2.6	2.8	2.9	3.1	3.3	3.4	3.6	3.8	4.0	4.1	4.3
V=23	L=	3.6	3.7	3.9	4.1	4.3	4.4	4.6	4.8	5.0	5.1	5.3

- The above values are calculated on the assumption that the doors have square edges.
- They are reduced if the doors have radiussed edges.

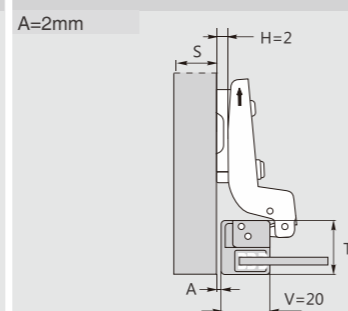
### C=0 Application with full overlay door



### C=9 Application with half overlay door

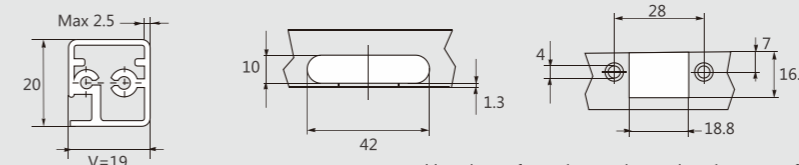


### C=18 Application with inset door



### Drilling dimensions on aluminium frame

V:19mm-22mm



Use these formulas to determine the type of hinge arm, the drilling distance "K" and the height of the mounting plate "H" for each door application.

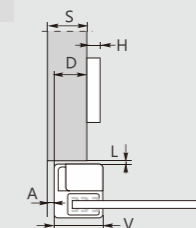
Nickel plated(A02)

### C98 series slide-on al frame hinge 110° (two way)

Full overlay C=0



$H = -2 + V - (D)$



Sprung

Item No.

C98A230

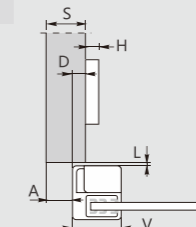
Pcs/ctn

200

Half overlay C=9



$H = -11 + V - (D)$



Sprung

Item No.

C98B230

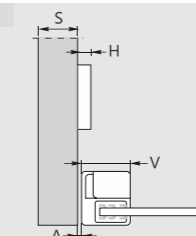
Pcs/ctn

200

Inset C=18



$H = -20 + V + (A)$



Sprung

Item No.

C98C230

Pcs/ctn

200

Nexus Enterprises

# STANDARD HINGES

C98 Series  $\Phi$  35mm Angled Hinges



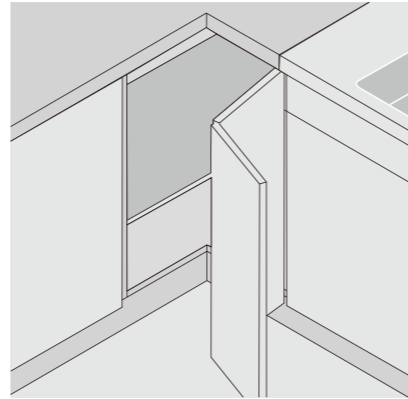
## PRODUCT



## DESCRIPTION

- Depth of hinge cup : 11.3mm
- Diameter of hinge cup: 35mm
- Range of door thickness: 14-24mm
- Possible drilling distances on the door(K): 3-7mm

## APPLICATION



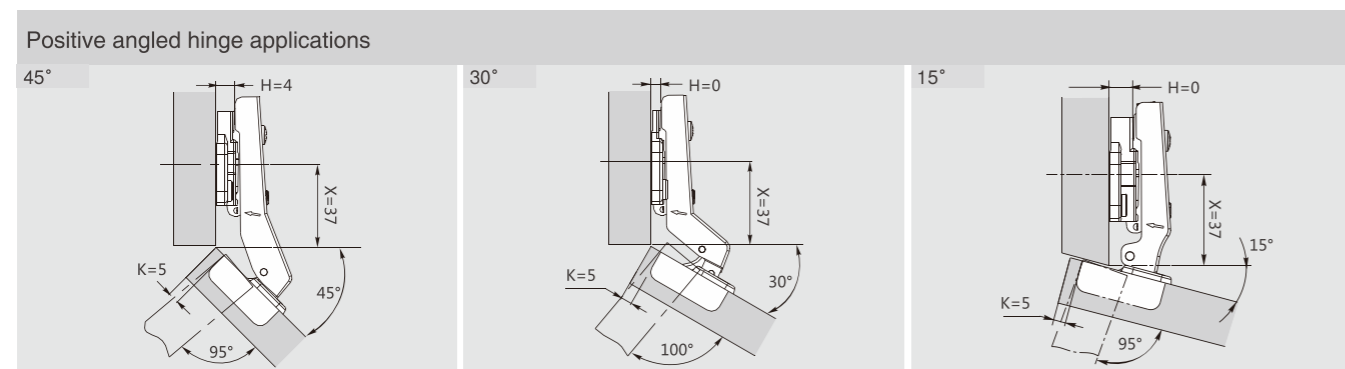
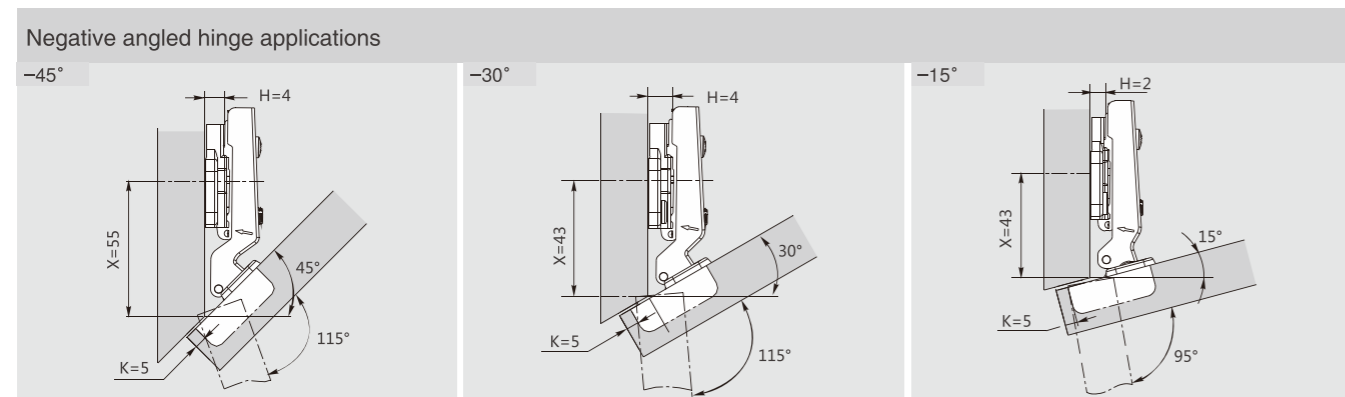
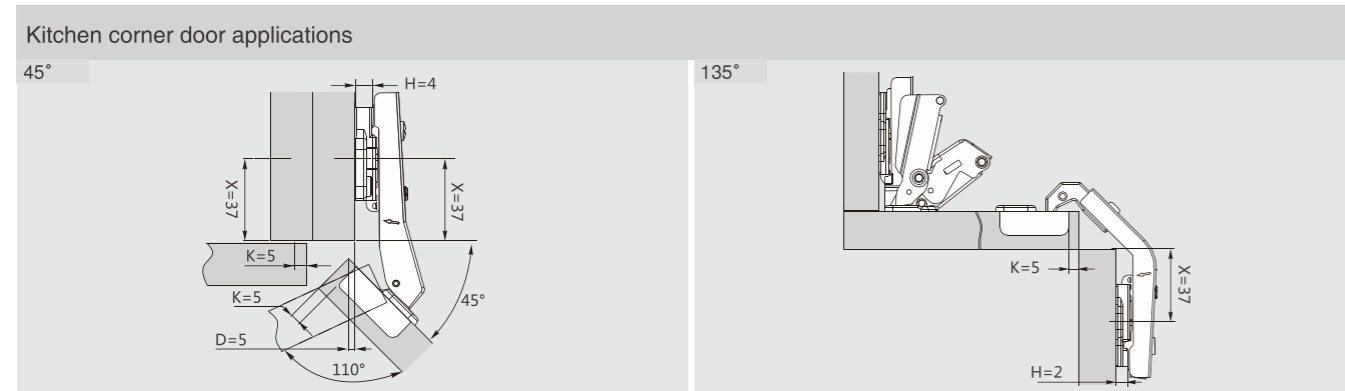
## ORDER INFORMATION



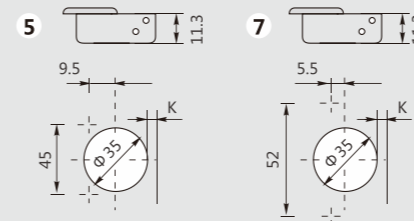
### $\Phi$ 35mm Options of screws and dowels:

M10 dowel Dowel No: M	Expandable dowel Dowel No: K
M8 dowel Dowel No: N	Expandable dowel Dowel No: K0
Euro screw Dowel No: B	Quick dowel Dowel No: T0

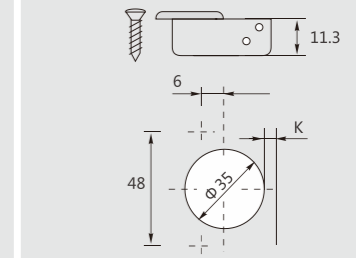
### $\Phi$ 35MM CORNER DOOR, BI-FOLD DOOR, -45°~45° ANGLED HINGE APPLICATIONS



### $\Phi$ 35mm Hinge cup types



The solution of assembly problems where doors are mounted at a positive or negative angle requires the verification of drilling distances by a practical trial. Please do not hesitate to consult our technical support department for assistance.



Nickel plated(A02)

### C98 series slide-on angled hinge(two way)

90°	90°	90°
<p>Adjustment range of D -2.5 ↔ +2.0</p>	<p>Adjustment range of D -3.0 ↔ +2.0</p>	<p>Adjustment range of L -3.0 ↔ +3.0</p>
Sprung	Sprung	Sprung
Item No. <b>C98J276</b>	Item No. <b>C98G276</b>	Item No. <b>C98T276</b>
Pcs/ctn 200	Pcs/ctn 200	Pcs/ctn 200

Nexus Enterprises

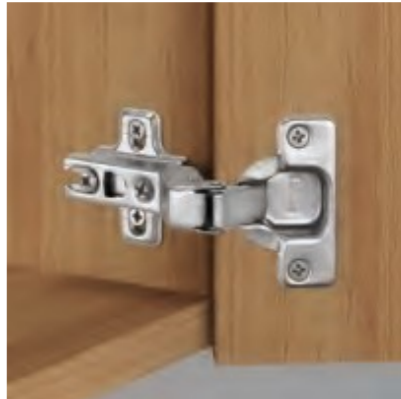
HINGE SERIES

# STANDARD HINGES

C98 Series  $\Phi$  35mm Angled Hinges



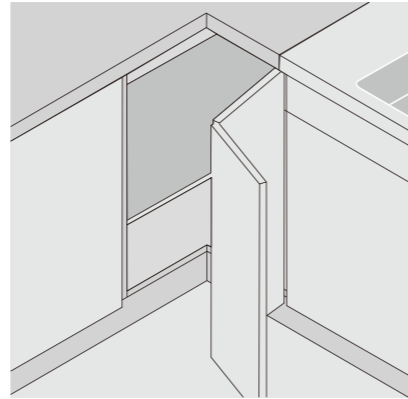
## PRODUCT



## DESCRIPTION

- Depth of hinge cup: 11.3mm
- Diameter of hinge cup: 35mm
- Range of door thickness: 14-24mm
- Possible drilling distances on the door(K): 3-7mm

## APPLICATION



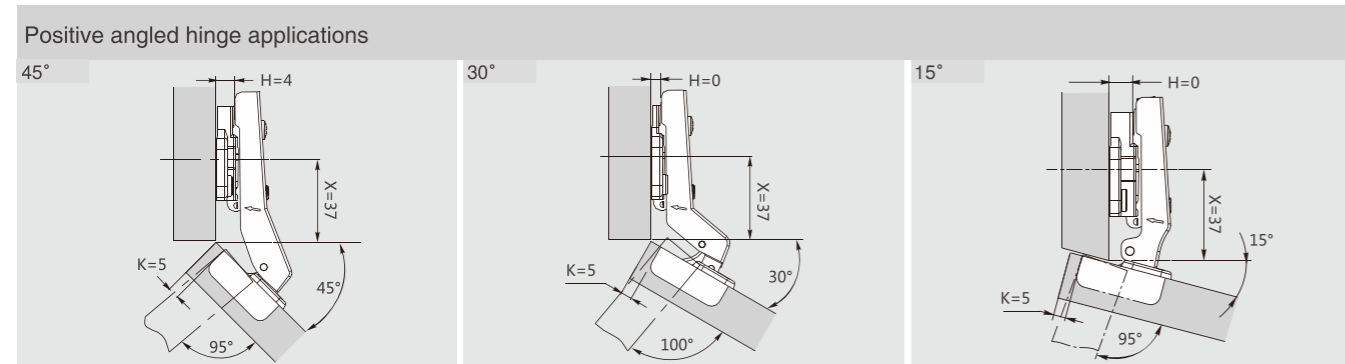
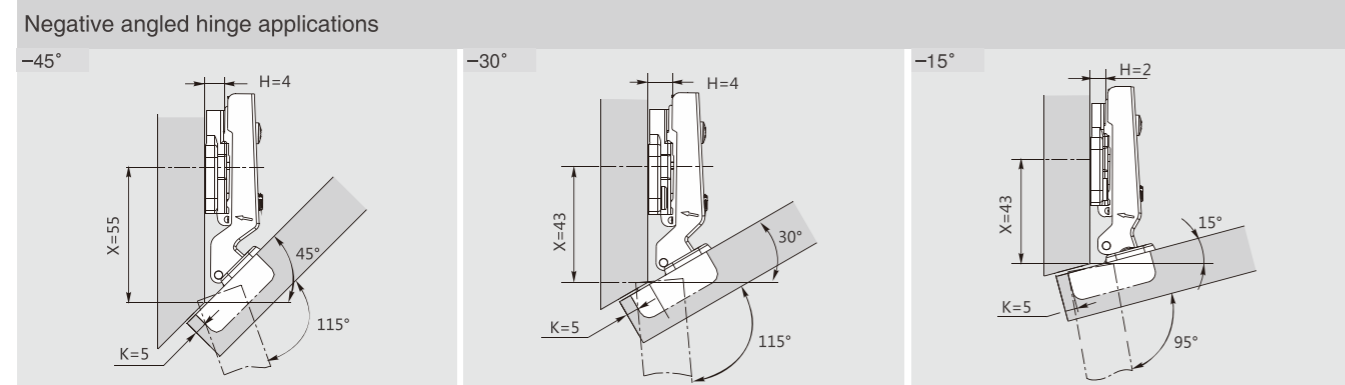
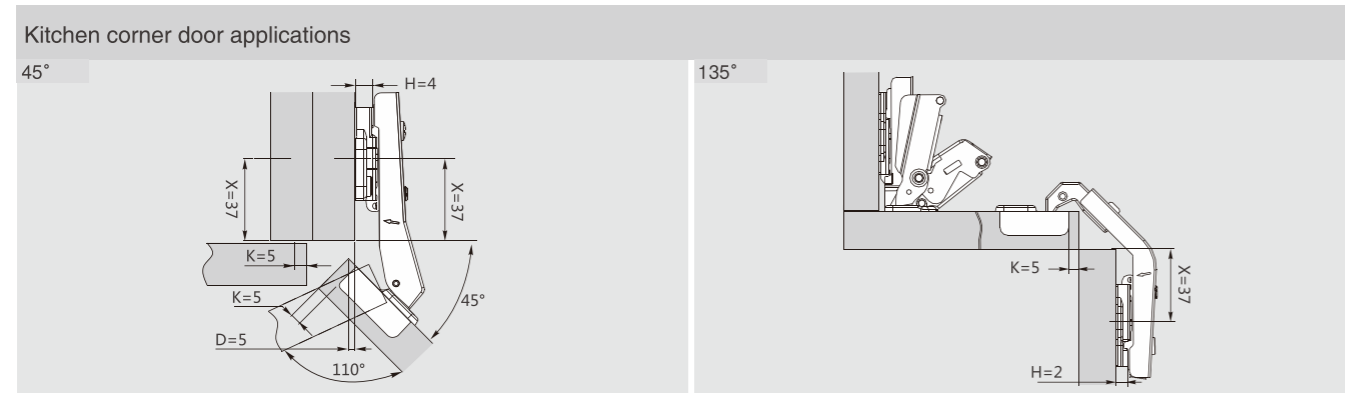
## ORDER INFORMATION



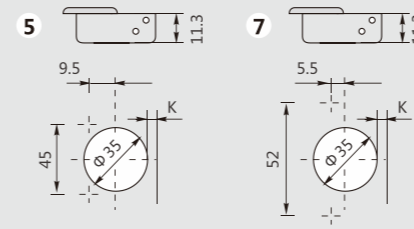
### $\Phi$ 35mm Options of screws and dowels:

	M10 dowel Dowel No: M		Expandable dowel Dowel No: K
	M8 dowel Dowel No: N		Expandable dowel Dowel No: K0
	Euro screw Dowel No: B		Quick dowel Dowel No: T0

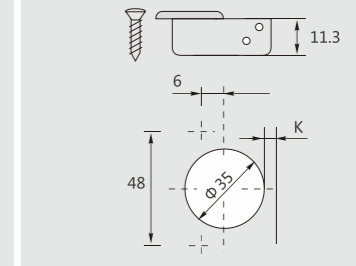
### $\Phi$ 35MM CORNER DOOR, BI-FOLD DOOR, -45°~45° ANGLED HINGE APPLICATIONS



### $\Phi$ 35mm Hinge cup types

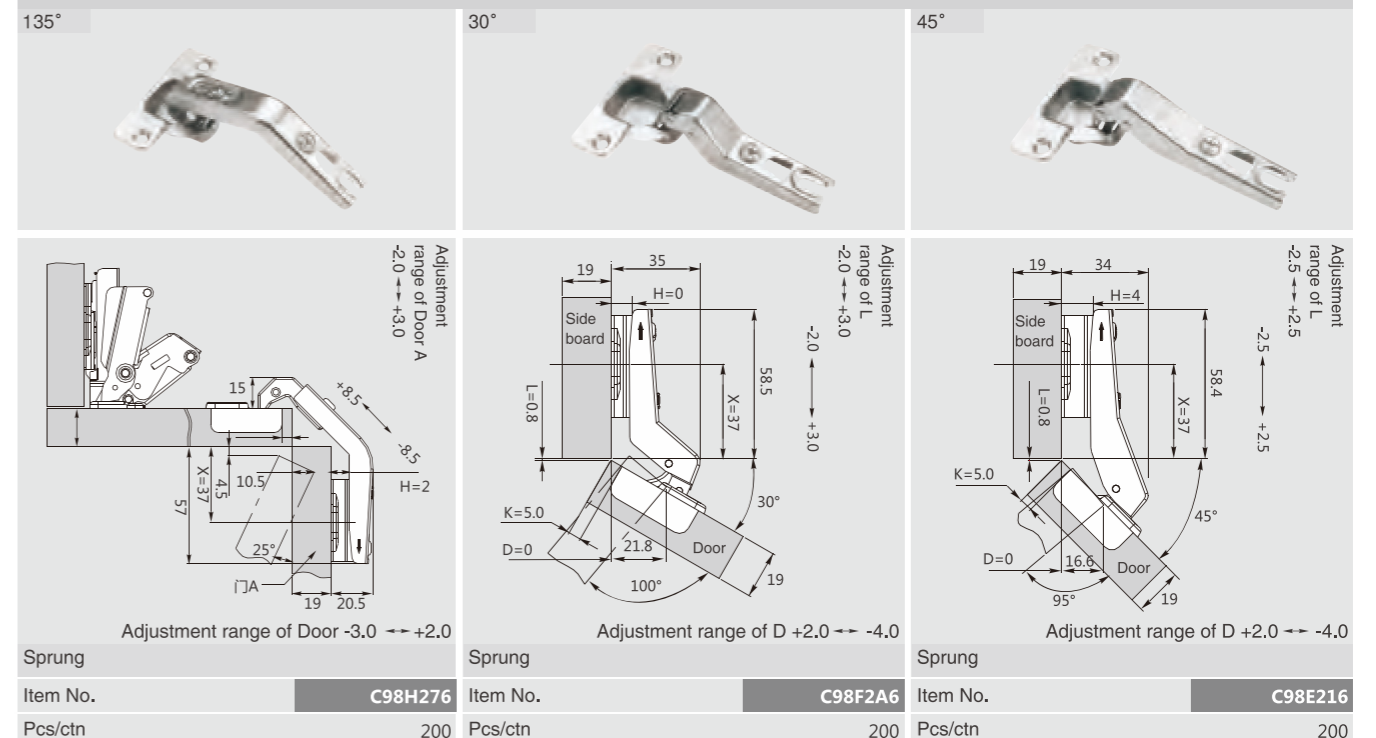


The solution of assembly problems where doors are mounted at a positive or negative angle requires the verification of drilling distances by a practical trial. Please do not hesitate to consult our technical support department for assistance.



Nickel plated(A02)

### C98 series slide-on angled hinge(two way)



# STANDARD HINGES

C98 Series  $\Phi$  35mm 165° Hinges



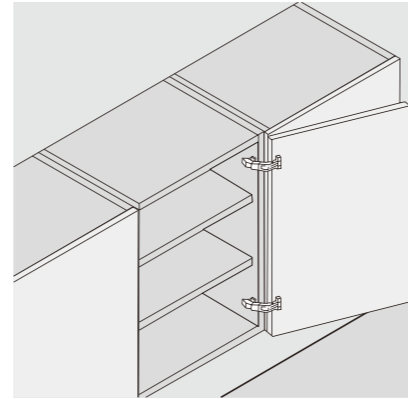
## PRODUCT



## DESCRIPTION

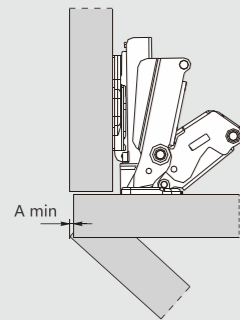
- Opening angle: 165°
- Depth of hinge cup: 11.3mm
- Diameter of hinge cup: 35mm
- Range of door thickness: 14-26mm
- Possible drilling distances on the door(K): 3-8mm

## APPLICATION



## PLANNING

### Space needed to open the door

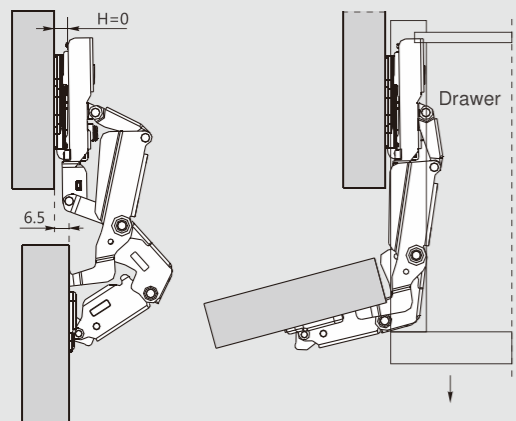


	T=	14	15	16	17	18	19	20	21	22	23	24	25	26
K=3	A=	0	0	0	0	0	0	0	0	0	0.2	0.6	1.1	4.4
K=4	A=	0	0	0	0	0	0	0	0	0	0.3	0.7	2.4	3.6
K=5	A=	0	0	0	0	0	0	0	0	0	0.3	0.9	2.0	2.9
K=6	A=	0	0	0	0	0	0	0	0	0	0.3	0.8	1.5	2.3
K=7	A=	0	0	0	0	0	0	0	0	0	0.2	0.6	1.2	1.9
K=8	A=	0	0	0	0	0	0	0	0	0	0.2	0.5	1.0	1.6

- The above values are calculated on the assumption that the doors have square edges.
- They are reduced if the doors have radiused edges.

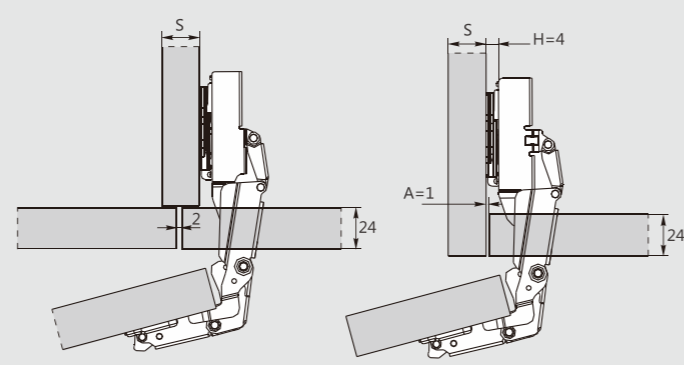
### Application

Below shows a straight arm hinge combined with a H=0mm mounting plate at its 90° opening angle and max. opening angle.



Full overlay C=0

No gap is required when door thickness is less than 22mm. A trial assembly is recommended when door thickness is more than 22mm.



Half overlay C=10

Inset C=14

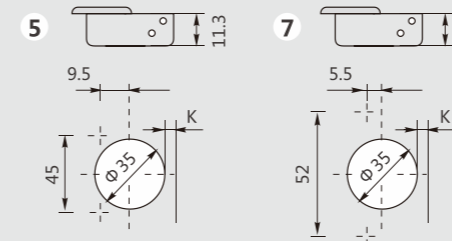
## ORDER INFORMATION



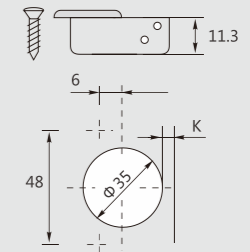
### $\Phi$ 35mm Options of screws and dowels:

M10 dowel Dowel No: <b>M</b>	Expandable dowel Dowel No: <b>K0</b>
M8 dowel Dowel No: <b>N</b>	Quick dowel Dowel No: <b>T0</b>
Expandable dowel Dowel No: <b>K</b>	

### $\Phi$ 35mm Hinge cup types



Use these formulas to determine the type of hinge arm, the drilling distance "K" and the height of the mounting plate "H" for each door application.



Nickel plated((A02)

### C98 series slide-on hinge 165° (two way)

Full overlay C=0	Small overlay C=5	Half overlay C=10	Inset C=14
H=14+K-(D)	H=9+K-(D)	H=4+K-(D)	H=0+K+(A)
Sprung	Sprung	Sprung	Sprung
Item No. <b>C98A306</b>	Item No. <b>C98D306</b>	Item No. <b>C98B306</b>	Item No. <b>C98C306</b>
Pcs/ctn 100	Pcs/ctn 100	Pcs/ctn 100	Pcs/ctn 100



# STANDARD HINGES

C98 Series  $\Phi$ 40mm Hinges for Thick Door



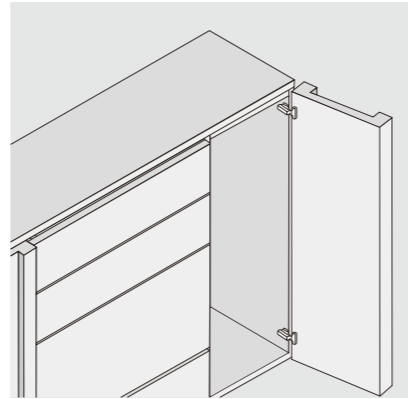
## PRODUCT



## DESCRIPTION

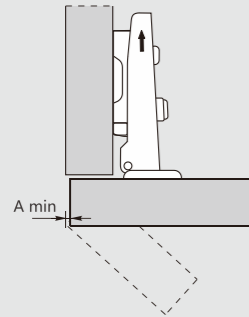
- Opening angle: 95°
- Depth of hinge cup: 12.1mm
- Diameter of hinge cup: 40mm
- Range of door thickness: 20-40mm
- Possible drilling distances on the door(K): 3-15mm

## APPLICATION



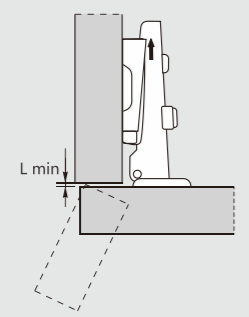
## PLANNING

### Space needed to open the door



	T=	20	21	22	23	24	25	26	27	28	29	30	31	32	33 - 40
K=3	A=	0.6	0.7	0.9	1.0	1.2	1.4	1.7	1.9	2.7	3.6	4.6	5.5	6.5	7.4 - 14.3
K=4	A=	0.6	0.7	0.8	1.0	1.2	1.4	1.6	1.9	2.1	3.0	3.9	4.8	5.8	6.7 - 13.5
K=5	A=	0.5	0.7	0.8	1.0	1.2	1.4	1.6	1.8	2.1	2.4	3.3	4.2	5.1	6.1 - 12.7
K=6	A=	0.5	0.7	0.8	1.0	1.2	1.4	1.6	1.8	2.1	2.3	2.8	3.6	4.5	5.5 - 12.0
K=7	A=	0.5	0.7	0.8	1.0	1.2	1.3	1.6	1.8	2.0	2.3	2.6	3.1	4.0	4.9 - 11.3
K=8	A=	0.5	0.7	0.8	1.0	1.1	1.3	1.5	1.8	2.0	2.3	2.5	2.9	3.5	4.4 - 10.7
		-	-	-	-	-	-	-	-	-	-	-	-	-	- -
K=15	A=	0.5	0.6	0.7	0.9	1.0	1.2	1.4	1.6	1.8	2.0	2.3	2.5	2.8	3.1 - 7.1

### Space needed to open the door

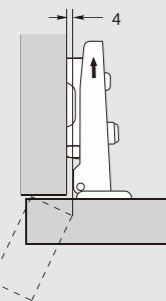


	T=	20	21	22	23	24	25	26	27	28	29	30	31	32	33 - 40
K=3-9	L=	0.0	0.0	0.0	0.0	0.0	0.0	0.0	0.0	0.0	0.0	0.0	0.0	0.0	0.0 - 0.0
K=10	L=	0.0	0.0	0.0	0.0	0.0	0.0	0.0	0.0	0.0	0.0	0.0	0.0	0.0	0.0 - 0.5
K=11	L=	0.1	0.2	0.3	0.3	0.4	0.5	0.5	0.6	0.7	0.8	0.8	0.9	1.0	1.0 - 1.5
K=12	L=	1.1	1.2	1.3	1.3	1.4	1.5	1.5	1.6	1.7	1.8	1.8	1.9	2.0	2.0 - 2.5
K=13	L=	2.1	2.2	2.3	2.3	2.4	2.5	2.5	2.6	2.7	2.8	2.8	2.9	3.0	3.0 - 3.5
K=14	L=	3.1	3.2	3.3	3.3	3.4	3.5	3.5	3.6	3.7	3.7	3.8	3.9	4.0	4.0 - 4.5
K=15	L=	4.1	4.2	4.3	4.3	4.4	4.5	4.5	4.6	4.7	4.7	4.8	4.9	5.0	5.0 - 5.5

- The above values are calculated on the assumption that the doors have square edges.
- They are reduced if the doors have radiused edges.

### Projection of the door

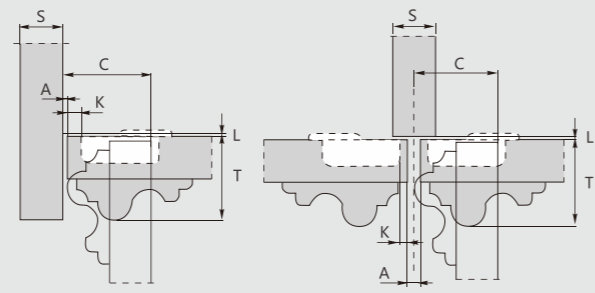
Projection of the door from the cabinet side at the max. opening. The figures are based on a straight arm hinge, H=0mm mounting plate and drilling distance (K) =3mm.



### "C" value

$$C=24+K+A$$

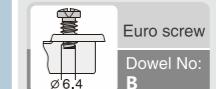
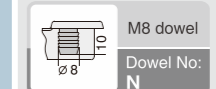
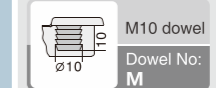
With this formula you can obtain the max. thickness of the moulded door that can be opened without touching adjacent carcass sides, doors or walls, whilst bearing in mind the above L-K-T values.



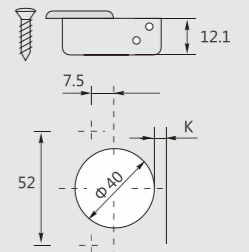
## ORDER INFORMATION



### $\Phi$ 40mm Options of screws and dowels:



Use these formulas to determine the type of hinge arm, the drilling distance "K" and the height of the mounting plate "H" for each door application.



Nickel plated(A02)

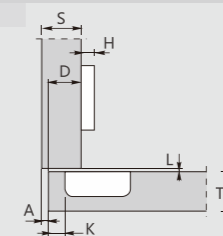
Nexus Enterprises

### C98 series $\Phi$ 40mm slide-on hinge 95° (two way)

#### Full overlay C=0



$$H=20+K-(D)$$



Sprung

Item No.

D98A297

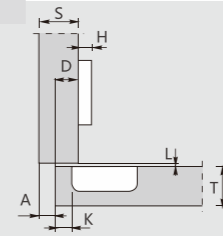
Pcs/ctn

200

#### Half overlay C=9



$$H=11+K-(D)$$



Sprung

Item No.

D98B297

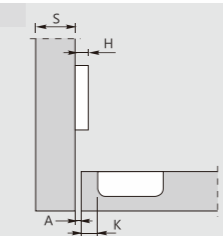
Pcs/ctn

200

#### Inset C=22,5



$$H=-2,5+K+(A)$$



Sprung

Item No.

D98C297

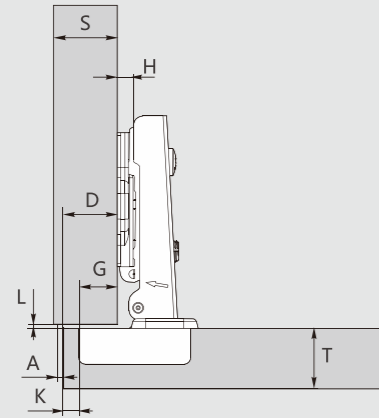
Pcs/ctn

200



### PLANNING

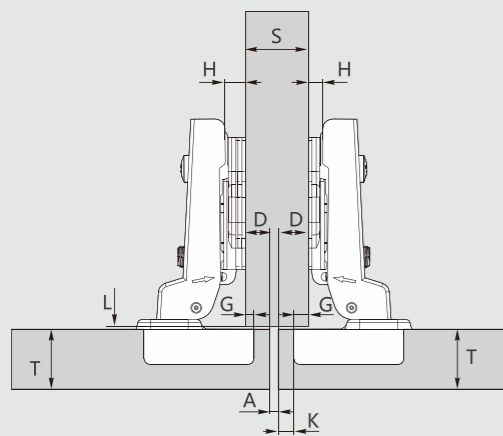
#### Application with full overlay door



- |                                   |                                  |
|-----------------------------------|----------------------------------|
| S = Thickness of the cabinet side | A = Reveal                       |
| D = Required door overlay         | L = Gap between door and carcass |
| T = Door thickness                | H = Height of the mounting plate |
| K = Drilling distance             | G = Hinge constant               |

Whatever door overlay is required, you can select from our range the combination of both the type of hinge arm and the thickness of mounting plate necessary to solve your construction problem and avoid the need to stock too many different components.

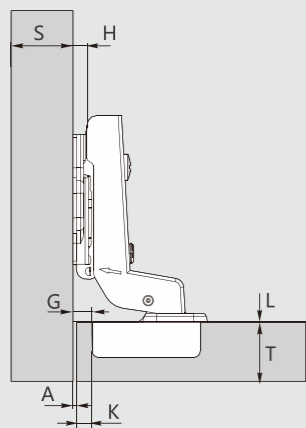
#### Application with half overlay door



- |                                   |                                  |
|-----------------------------------|----------------------------------|
| S = Thickness of the cabinet side | A = Reveal                       |
| D = Required door overlay         | L = Gap between door and carcass |
| T = Door thickness                | H = Height of the mounting plate |
| K = Drilling distance             | G = Hinge constant               |

Whatever door overlay is required, you can select from our range the combination of both the type of hinge arm and the thickness of mounting plate necessary to solve your construction problem and avoid the need to stock too many different components.

#### Application with inset door

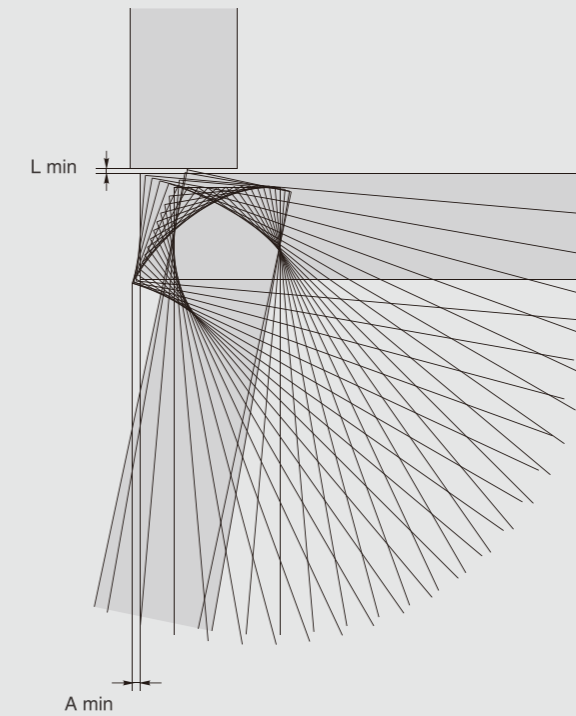


- |                                   |  |
|-----------------------------------|--|
| S = Thickness of the cabinet side | L = Gap between internal face of door and internal cabinet elements(e.g.shelves, drawers,etc.) |
| T = Door thickness                | H = Height of the mounting plate   |
| K = Drilling distance             | G = Hinge constant   |
| A = Reveal                        |  |

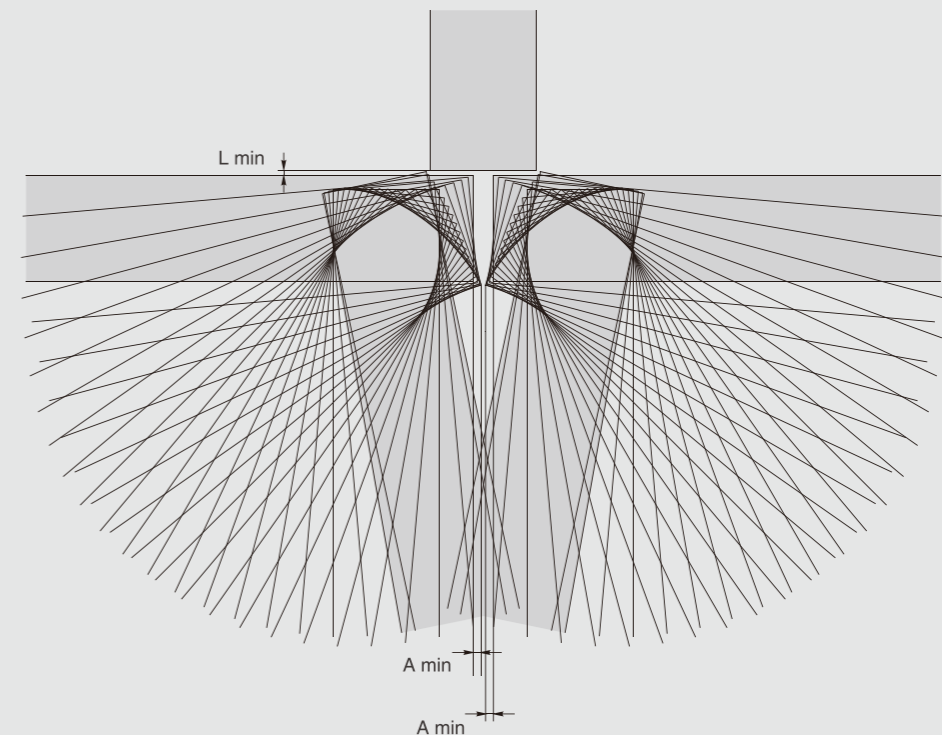
Whatever door overlay is required, you can select from our range the combination of both the type of hinge arm and the thickness of mounting plate necessary to solve your construction problem and avoid the need to stock too many different components.

### PLANNING

#### Simulation of the opening movement of a 110° hinge with full overlay door



#### Simulation of the opening movement of a 110° hinge with half overlay door



Nexus Enterprises

# ASSEMBLY AND ADJUSTMENT

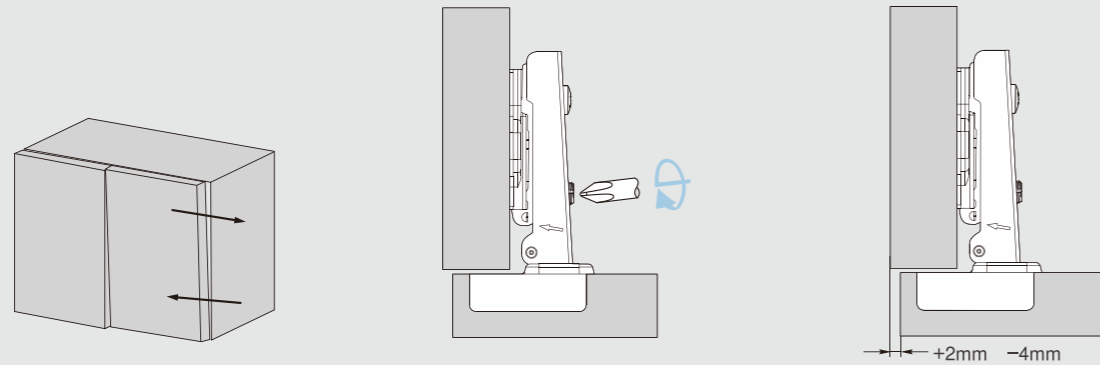
## STANDARE Hinges Installation and Parameters



### PLANNING

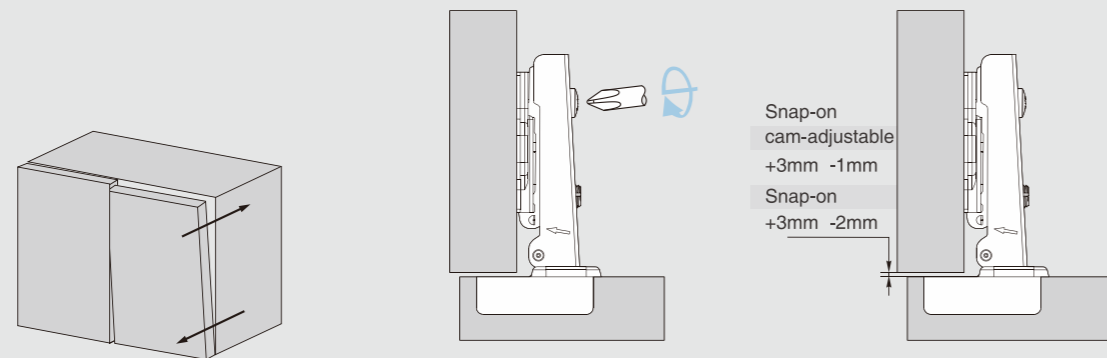
#### PIVOT-PRO side adjustment

Side adjustment of the door is made by using the indicated screw.



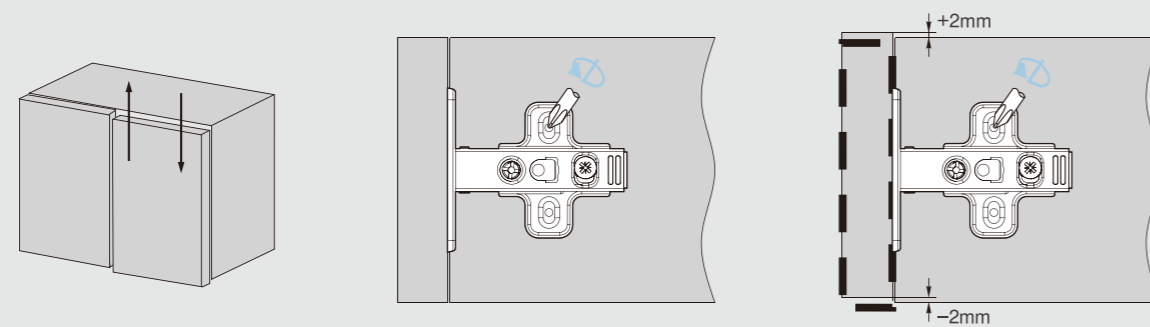
#### PIVOT-PRO depth adjustment

Depth adjustment is made without loosening any screw. The door can be moved in or out by rotating the cam adjuster on the hinge arm.

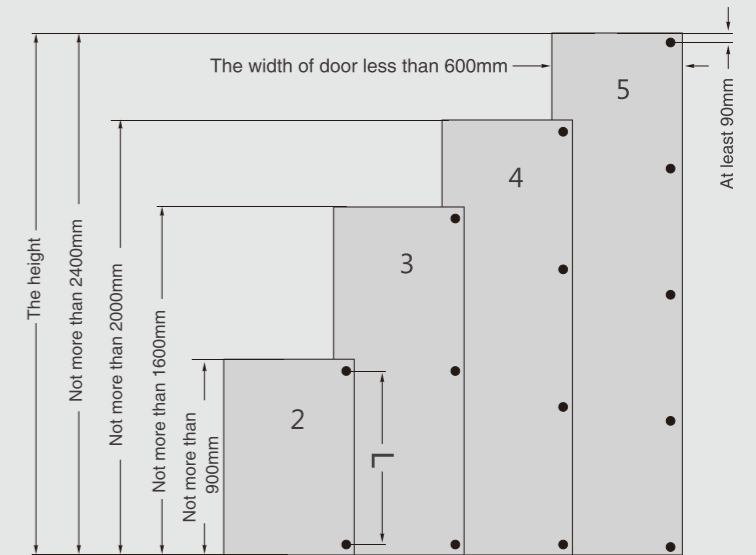
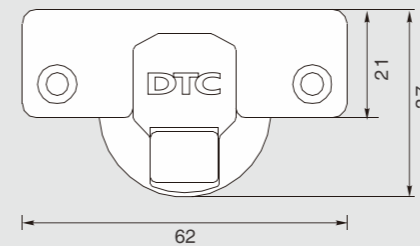


#### PIVOT-PRO height adjustment

By loosening the two fixing screws to allow the mounting plate to slide up or down, the door can be adjusted vertically by  $\pm 2$ mm. After retightening the screws, the depth adjustment is done.



### PLANNING



L=distance between hinges

#### Number of hinges needed for each door

The number of hinges needed for each door depends on the width of the door, the height of the door and the type of material the door is made of. It varies in particular practices. The hinge installation proposal listed above is only for your reference. Experiment is suggested in an uncertain situation. "L" volume shall be relatively large considering stability.

#### Adjustment

Side adjustment:  $4\text{mm} \sim +2\text{mm}$   
Height adjustment:  $\pm 2\text{mm}$   
Depth adjustment: Snap-on  $-2\text{mm} \sim +3\text{mm}$ , Snap-on (Cam adjustable)  $-1\text{mm} \sim +3\text{mm}$

#### Mounting plates

Two-hole and four-hole mounting plates  
Up&down cam adjustable mounting plates

Nexus Enterprises