



BALL BEARING  
SLIDES SERIES

SUPER-RAIL

# SUPER-RAIL

Built-in soft-close system

Upgrade from  
conventional B.B.Slides



- An upgraded slide based on the conventional B.B.Slides by building into the slide a soft-close device.
- Applicable in office, home and other occasions that require full-extension drawers, various sizes available.
- Thanks to the purpose-built reset device, installation is hassle-free.



Quietness



Intelligence



Durability



Eco-Friendliness

# SUPER-RAIL

45mm Series Soft-close Round Profile Full Extension Ball Bearing Slides-Metric Sizes



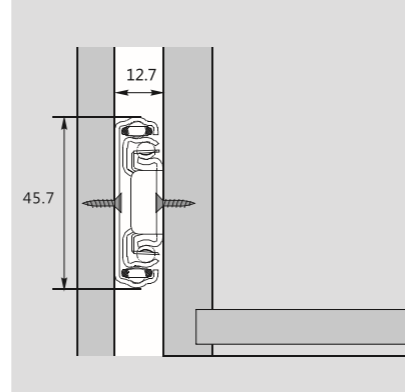
## PRODUCT



## DESCRIPTION

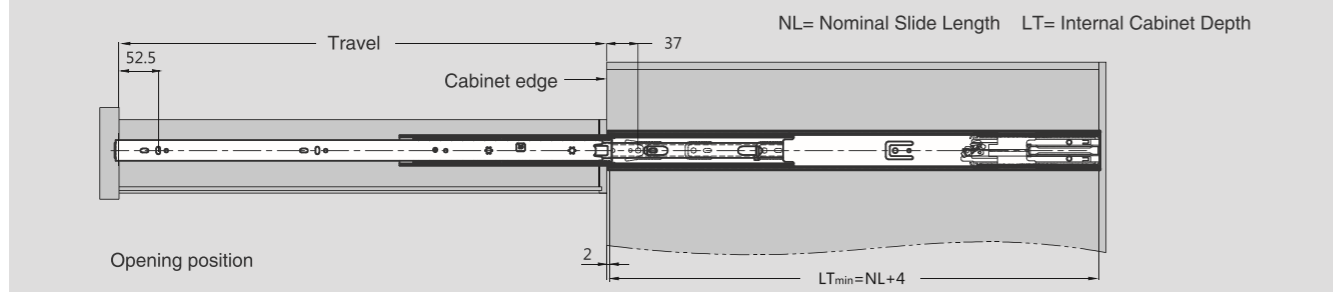
- Load capacity: 45kg
- Finish: Blue zinc plated(B02), Black(D01)
- Lengths:250-600mm
- Full extension
- Soft-close
- Single way travel

## SPACE REQUIREMENT

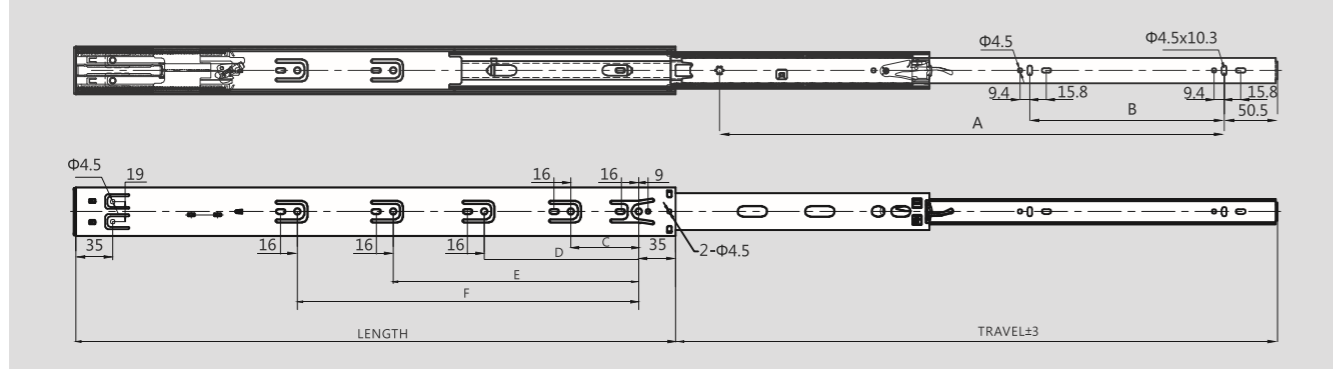


## ORDER INFORMATION

### Installation Dimensions(mm)



### Screw Positions of the Slides(mm)



### Installation Dimensions(mm)

Item No.	Length NL	Travel	Hole pattern						Set/ctn
			A	B	C	D	E	F	
4587110H	250	163.8	174						12
4587112H	300	263.8	224	64	96				12
4587114H	350	335.3	256	96	64	128			12
4587116H	400	401	320	128	64	128	192		12
4587118H	450	451	352	160	64	128	224		12
4587120H	500	501	416	192	64	128	256		12
4587122H	550	551	448	224	64	128	224	320	12
4587124H	600	601	512	224	64	128	224	352	12

# BALL BEARING SLIDES

45mm Series Push-open Round Profile Full Extension Ball Bearing Slides-Metric Sizes



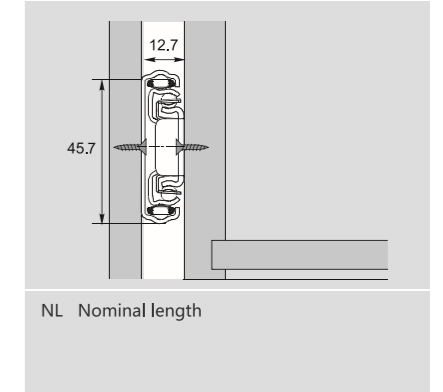
## PRODUCT



## DESCRIPTION

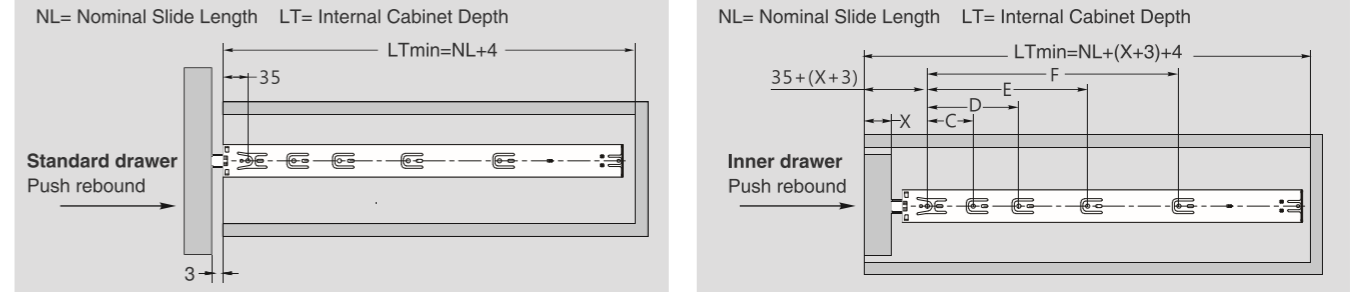
- Load capacity: 45kg
- Finish: Blue zinc plated(B02), Black(D01)
- Lengths: 300-700mm
- Inner member with mounting tabs
- Soft-close
- Single way travel

## SPACE REQUIREMENT

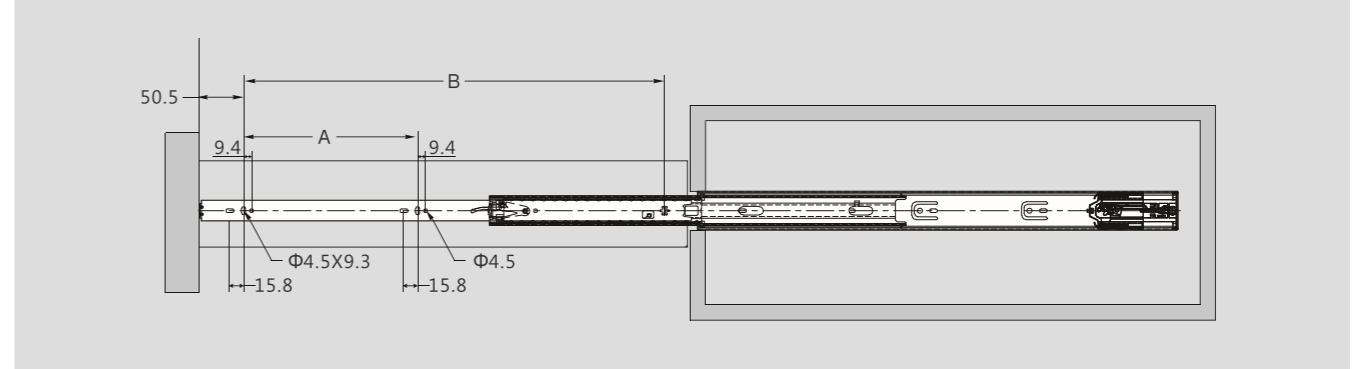


## ORDER INFORMATION

### Installation Dimensions(mm)



### Screw Positions of the Slides(mm)



### Installation Dimensions(mm)

Item No.	Length NL	Travel	Hole pattern						Set/ctn
			A	B	C	D	E	F	
4587110G	250	163.8	174		64				
4587112G	300	263.8	64	224	96				12
4587114G	350	335.3	96	224	64	128			12
4587116G	400	401	128	320	64	128	192		12
4587118G	450	451	160	320	64	128	224		12
4587120G	500	501	192	416	64	128	256		12
4587122G	550	551	224	416	64	128	224	320	12
4587124G	600	601	224	512	64	128	224	352	12

Nexus Enterprises